

AIDA

ENG

Total usability for an idea of the future

Cassette system developed with the comfort of the installer in mind. With a single fastener, it offers flexibility and manoeuvring room to make adjustment as simple as possible.

Its straight and basic lines are ideal for contemporary architectural style, achieving the integration pursued by both architects and decorators.

MOBILISATION



Motorized



Automated

INSTALLATION POSSIBILITIES



Window



Balcony

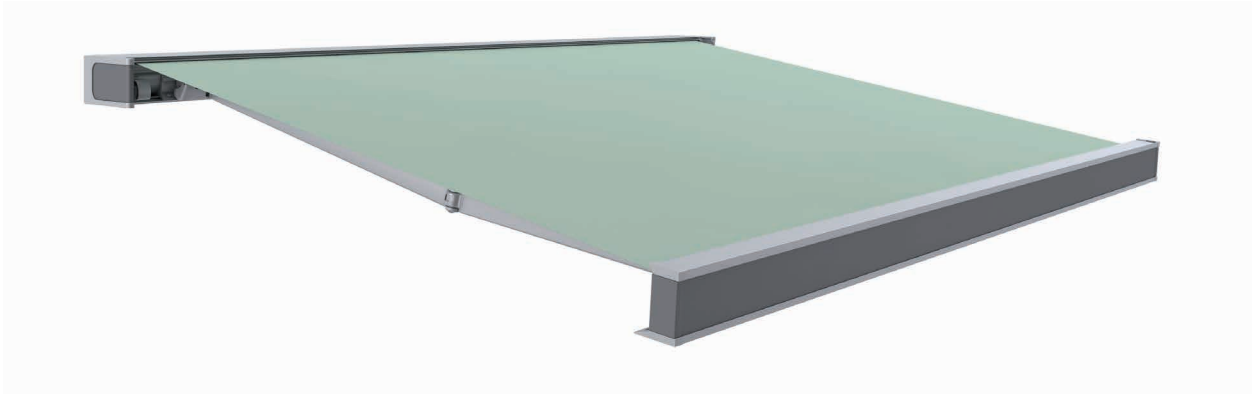


Terrace



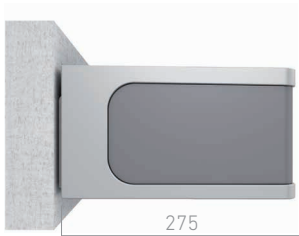
Wrought

- ✓ Direct front installation. Option of ceiling installation with additional supports.
- ✓ It can be produced in two different colours on the front profile and cassette.
- ✓ Line up to 6 metres.



TYPES OF FIXING

Measurements in mm.

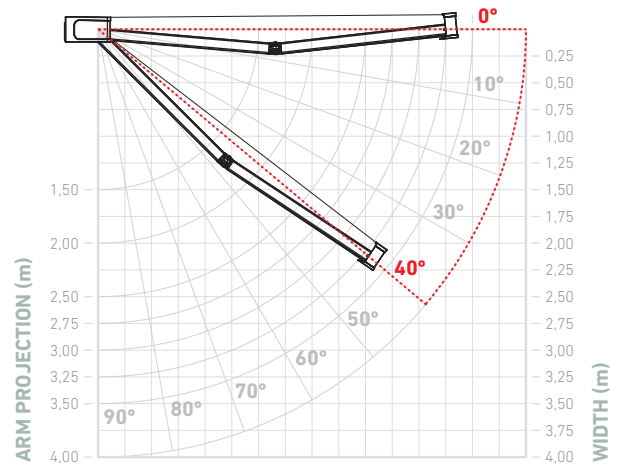


Frontal



Ceiling

DEGREES OF INCLINATION

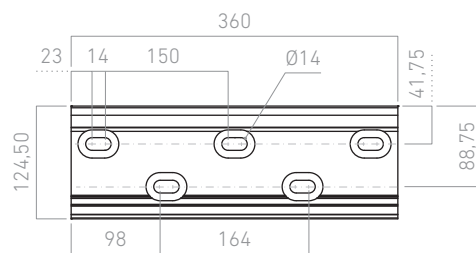


SUPPORTS

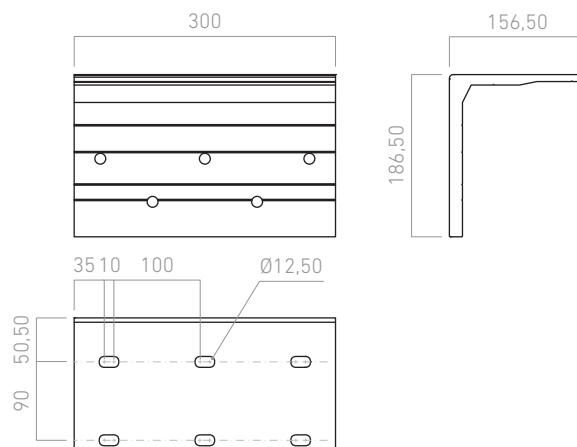
Measurements in mm.



Wall



Ceiling



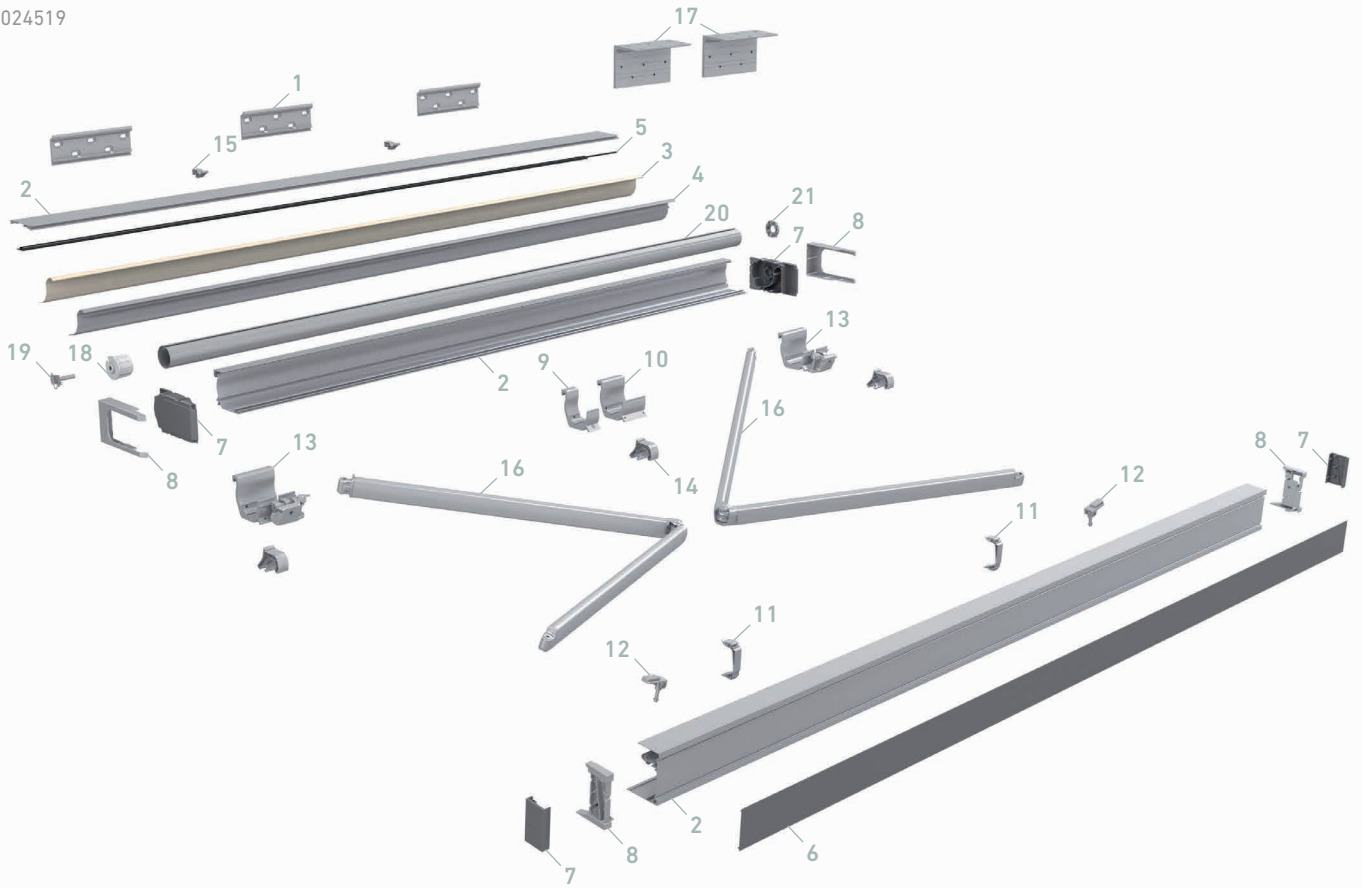
DEGREES OF INCLINATION

Front installation

0° to 40°

AIDA

024519



CODE	COMPONENTS
1	024530 Wall extruded bracket Aida
2	024150 Profiles set Aida
3	022257 PVC fabric-saving profile Aida
4	024533 Balance profile Aida
5	024525 Downside cover Aida
6	024151 Front side cover Aida
7	024148 Box and front bars end covers Aida
8	024149 Covers for box and front bar end covers Aida
9	024154 Middle support Aida

CODE	COMPONENTS
10	024535 Profile junction bracket Aida
11	024155 Arm picking runners Aida
12	024532 Runners for arms Aida
13	024147 Arm bracket with tipping system Aida
14	024163 Conveyor set Aida
15	024534 Bracket for box Aida
16	022990 Set of arms
17	024553 Ceiling bracket Aida

WIND RESISTANCE EN 13561:2004+A1:2008

PROJECTION	WIDTH														
	2,50	2,75	3,00	3,25	3,50	3,75	4,00	4,25	4,50	4,75	5,00	5,25	5,50	5,75	6,00
1,85	2	2	2	2	2	2	2	2	2	2	2	2	2	2	2
2,10		2	2	2	2	2	2	2	2	2	2	2	2	2	2
2,60				2	2	2	2	2	2	2	2	2	2	2	2
3,10							2	2	2	2	2	2	2	2	2
3,35								2	2	2	2	2	2	2	2
3,60									2	2	2	2	2	2	2

Class 2 ≈ 38 Km/h

