

# AMERIS

ENG

## A box designed to surprise

Ameris is a box model with extendable arms that is characterised by a simple and elegant design.

In spite of its small dimensions, it allows an effective outlet thanks to the length of its arms, which will surprise all type of users and will brighten terraces with its own light.

### MOBILISATION



Motorized



Automated



Manual

### INSTALLATION POSSIBILITIES



Window



Balcony

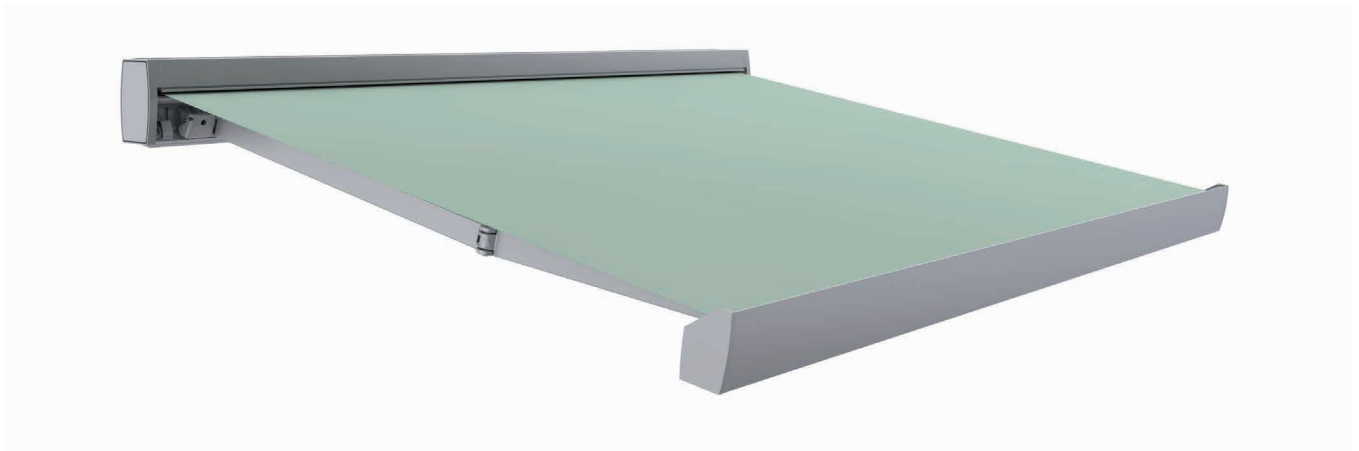


Terrace



Wrought

- ✓ **Completely hidden fasteners and screws.**
- ✓ Option of a protrusion of up to 410 cm.



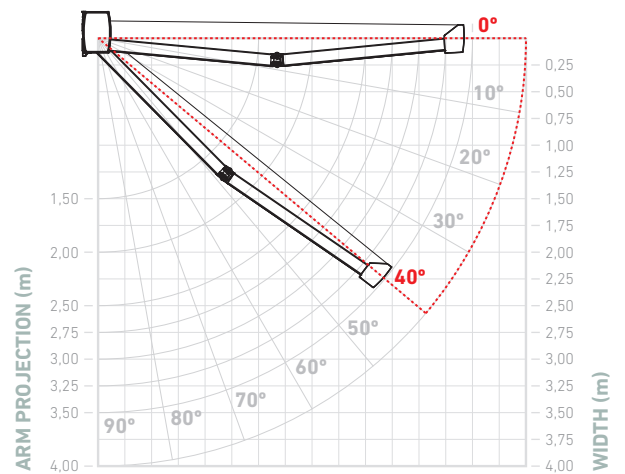
## TYPES OF FIXING

Measurements in mm.



Frontal

## DEGREES OF INCLINATION



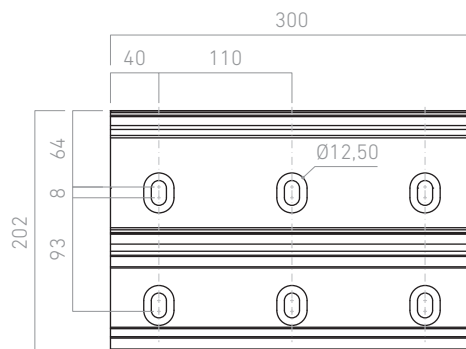
### DEGREES OF INCLINATION

Front installation

0° to 40°

## SUPPORTS

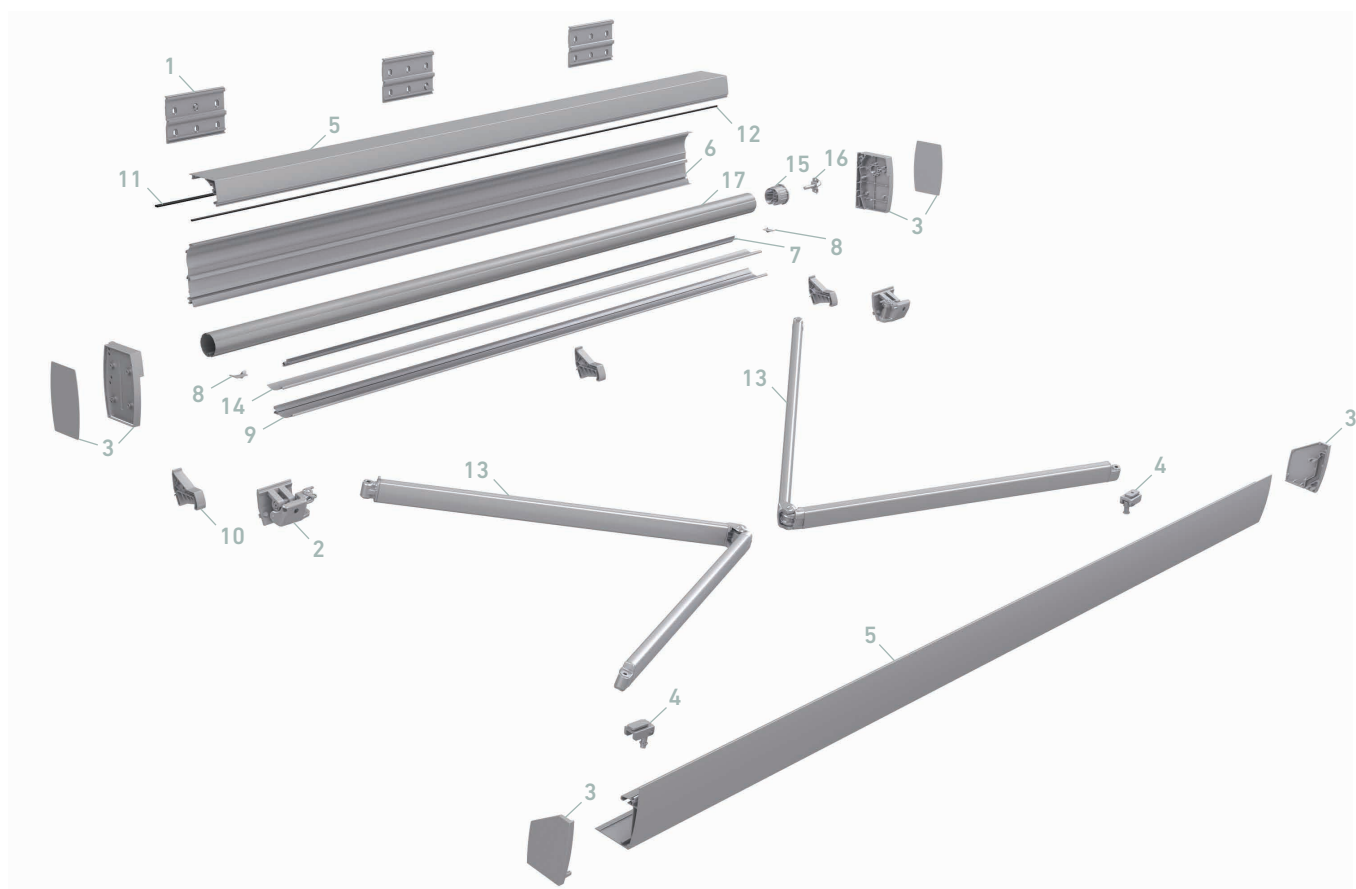
Measurements in mm.



Wall

# AMERIS

024518



CODE	COMPONENTS
1	024520 Wall extruded bracket Ameris
2	024157 Arm supports with tipping system
3	024521 Box and front bar end covers Ameris
4	024522 Set of sloping runners for arms Ameris
5	024524 Front side profiles kit 4M Ameris
6	024523 Backside profiles kit 4M Ameris
7	024526 LED downside cover Ameris

CODE	COMPONENTS
8	024527 Covers for LED downside cover Ameris
9	024525 Backside profiles set
10	024153 Conveyor Ameris
11	024529 Upper rubber Ameris
12	022223 Lower rubber Ameris
13	022990 Set of arms
14	024162 PVC fabric-saving profile Ameris

## WIND RESISTANCE EN 13561:2004+A1:2008

PROJECTION	WIDTH														
	2,50	2,75	3,00	3,25	3,50	3,75	4,00	4,25	4,50	4,75	5,00	5,25	5,50	5,75	6,00
1,85	1	1	1	1	1	1	1	1	1	1	1	1	1	1	1
2,10		1	1	1	1	1	1	1	1	1	1	1	1	1	1
2,60				1	1	1	1	1	1	1	1	1	1	1	1
3,10						1	1	1	1	1	1	1	1	1	1
3,35							1	1	1	1	1	1	1	1	1
3,60								1	1	1	1	1	1	1	1
4,10										1	1	1	1	1	1

Class 2      ≈ 38 Km/h

