

# ANEAS 125x125

Terraces are protected  
all year round

This is an ideal model for installation on large terraces and other existing structures, because it is attached by means of supports that can be installed on vertical and horizontal surfaces.

With options for installation between walls, and with or without rails, it is the ideal solution for all types of restaurants and businesses looking to express a personality of their own.



## MOBILISATION



Manual

## INSTALLATION POSSIBILITIES

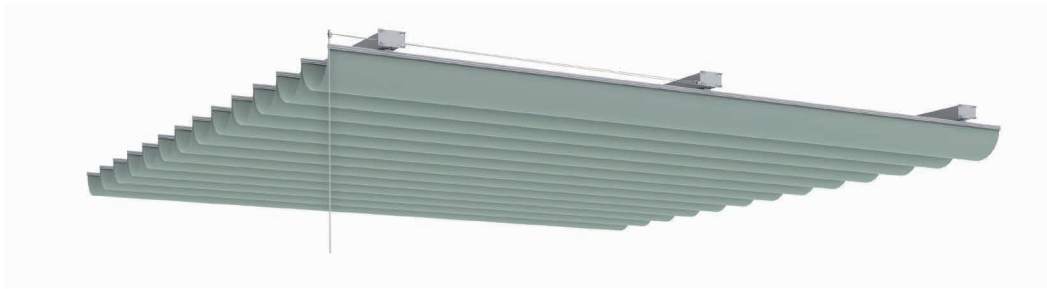


Terrace



Wrought

- ✓ **Large size of 125x125** especially indicated for spaces of notable size.
- ✓ **Allows the installation of drop awnings.**



Wall to wall Aneas



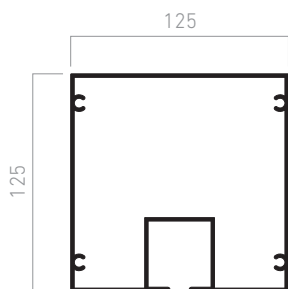
Patio cover without crossbar Aneas



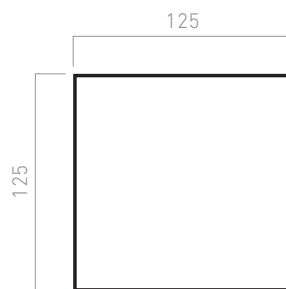
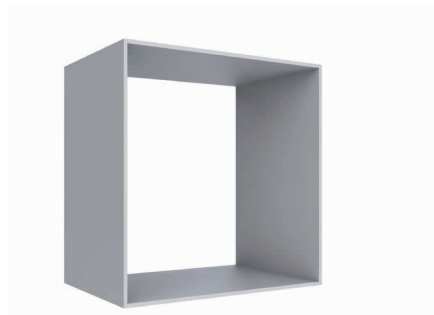
Patio cover with crossbar Aneas

## PROFILES

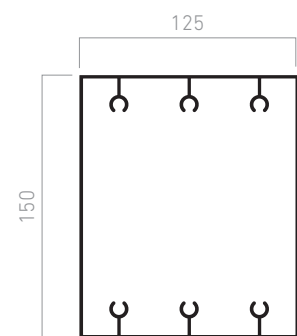
Measurements in mm.



125x125x2 mm Guide Patio cover



125x125 mm Column

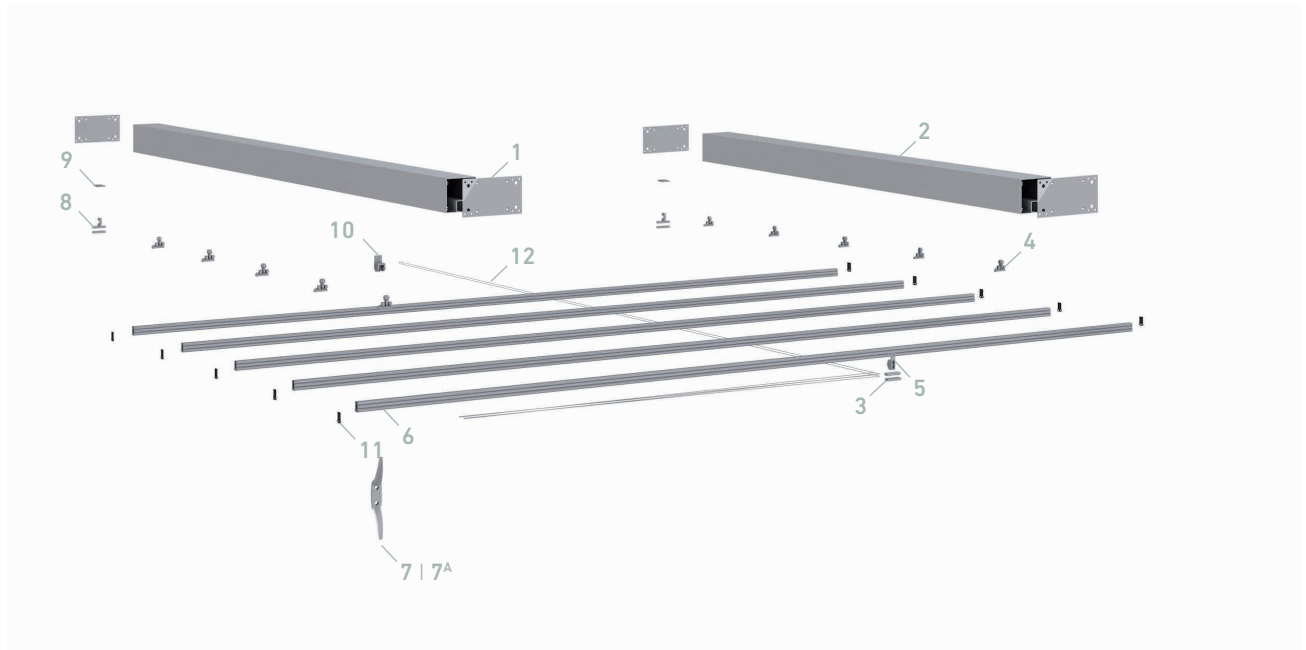


P-150x125 mm Beam

# ANEAS 125x125

## WALL TO WALL

024280



CODE	COMPONENTS	CODE	COMPONENTS
1	024167 125x125 mm Pole guide joiner plate	7	022129 Wall cleat for string plastic
2	024164 125x125 mm Guide Patio cover	7 <sup>A</sup>	022262 Wall cleat for string metallic
3	022111 Flange with string	8	022581 End hook kit
4	022379 Reinforced nylon flange pulley with bearings screw/nut stainless	9	024342 125x125 Pole final bracket
5	022084 Simple pulley	10	022593 Double pulley
6	022520 Aluminium double pole	11	022277 Cap for double fabric profile with hole
		12	022128 Rope for awning

### WIND RESISTANCE EN 13561:2004+A1:2008

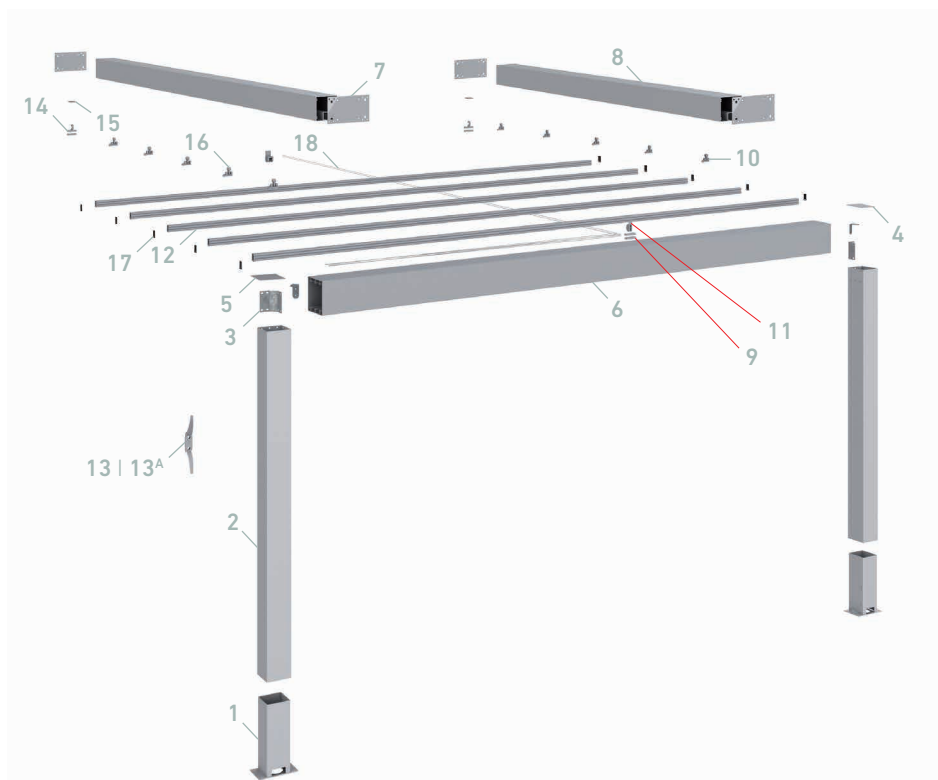
PROJECTION	2 GUIDES										3 GUIDES						
	WIDTH																
	2,00	2,25	2,50	2,75	3,00	3,25	3,50	3,75	4,00	4,25	4,50	4,75	5,00	5,50	6,00	6,50	7,00
2,00	3	3	3	3	3	3	3	3	3	3	3	3	3	3	3	3	3
2,50	3	3	3	3	3	3	3	3	3	3	3	3	3	3	3	3	3
3,00	3	3	3	3	3	3	3	3	3	3	3	3	3	3	3	3	3
3,50	3	3	3	3	3	3	3	3	3	3	3	3	3	3	3	3	3
4,00	3	3	3	3	3	3	3	3	3	3	3	3	3	3	3	3	3
4,50	3	3	3	3	3	3	3	3	3	3	3	3	3	3	3	3	3
5,00	3	3	3	3	3	3	3	3	3	3	3	3	3	3	3	3	3
5,50	3	3	3	3	3	3	3	3	3	3	3	3	3	3	3	3	3
6,00	3	3	3	3	3	3	3	3	3	3	3	3	3	3	3	3	3
6,50	3	3	3	3	3	3	3	3	3	3	3	3	3	3	3	3	3
7,00	3	3	3	3	3	3	3	3	3	3	3	3	3	3	3	3	3

Class 3      ≈ 48 Km/h

# ANEAS 125x125

## PATIO COVER WITHOUT CROSSBAR

024285



CODE	COMPONENTS
1	024288 S surface fixation
2	050205 P-125x125 mm Column
3	024244 P-150x125 mm Beam vertical bracket
4	050262 M6x16 A2 Clamping bracket columns cap
5	050202 125x125 Columns cap
6	024245 P-150x125 mm Bean
7	024167 125x125 mm Pole guide joiner plate
8	024164 125x125 mm Guide Patio cover
9	022111 Flange with string
10	022379 Reinforced nylon flange pulley with bearings screw/nut stainless

CODE	COMPONENTS
11	022084 Simple pulley
12	022520 Aluminium double pole
13	022129 Wall cleat for string plastic
13A	022262 Wall cleat for string metallic
14	022581 End hook kit
15	024342 125x125 Pole final bracket
16	022593 Double pulley
17	022277 Cap for double fabric profile with hole
18	022128 Rope for awning

### WIND RESISTANCE EN 13561:2004+A1:2008

PROJECTION	2 GUIDES										3 GUIDES						
	WIDTH																
	2,00	2,25	2,50	2,75	3,00	3,25	3,50	3,75	4,00	4,25	4,50	4,75	5,00	5,50	6,00	6,50	7,00
2,00	3	3	3	3	3	3	3	3	3	3	3	3	3	3	3	3	3
2,50	3	3	3	3	3	3	3	3	3	3	3	3	3	3	3	3	3
3,00	3	3	3	3	3	3	3	3	3	3	3	3	3	3	3	3	3
3,50	3	3	3	3	3	3	3	3	3	3	3	3	3	3	3	3	3
4,00	3	3	3	3	3	3	3	3	3	3	3	3	3	3	3	3	3
4,50	3	3	3	3	3	3	3	3	3	3	3	3	3	3	3	3	3
5,00	3	3	3	3	3	3	3	3	3	3	3	3	3	3	3	3	3
5,50	3	3	3	3	3	3	3	3	3	3	3	3	3	3	3	3	3
6,00	3	3	3	3	3	3	3	3	3	3	3	3	3	3	3	3	3
6,50	3	3	3	3	3	3	3	3	3	3	3	3	3	3	3	3	3
7,00	3	3	3	3	3	3	3	3	3	3	3	3	3	3	3	3	3

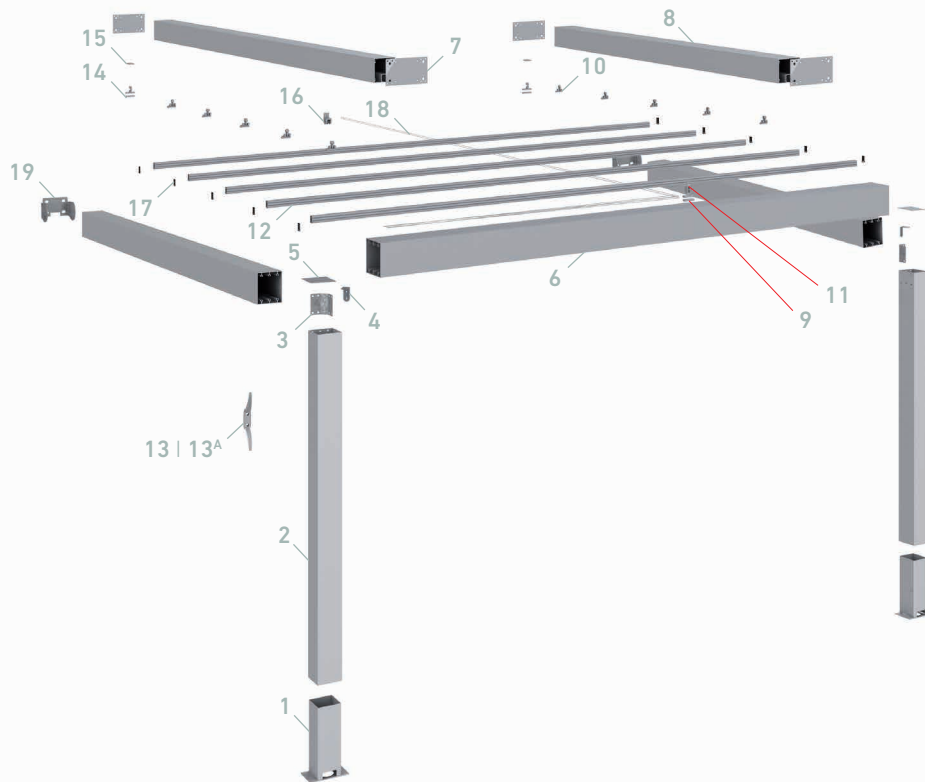
Class 3

≈ 48 Km/h

# ANEAS 125x125

## PATIO COVER WITH CROSSBAR

024290



CODE	COMPONENTS
1	024288 S surface fixation
2	050205 P-125x125 mm Column
3	024244 P-150x125 mm Beam vertical bracket
4	050262 M6x16 A2 Clamping bracket columns cap
5	050202 125x125 Columns cap
6	024245 P-150x125 mm Bean
7	024167 125x125 mm Pole guide joiner plate
8	024164 125x125 mm Guide Patio cover
9	022111 Flange with string
10	022379 Reinforced nylon flange pulley with bearings screw/nut stainless

CODE	COMPONENTS
11	022084 Simple pulley
12	022520 Aluminium double pole
13	022129 Wall cleat for string plastic
13 <sup>A</sup>	022262 Wall cleat for string metallic
14	022581 End hook kit
15	024342 125x125 Pole final bracket
16	022593 Double pulley
17	022277 Cap for double fabric profile with hole
18	022128 Rope for awning
19	024206 125x125 mm Patio cover 15° wall support with screws

### WIND RESISTANCE EN 13561:2004+A1:2008

PROJECTION	2 GUIDES										3 GUIDES						
	WIDTH																
	2,00	2,25	2,50	2,75	3,00	3,25	3,50	3,75	4,00	4,25	4,50	4,75	5,00	5,50	6,00	6,50	7,00
2,00	3	3	3	3	3	3	3	3	3	3	3	3	3	3	3	3	3
2,50	3	3	3	3	3	3	3	3	3	3	3	3	3	3	3	3	3
3,00	3	3	3	3	3	3	3	3	3	3	3	3	3	3	3	3	3
3,50	3	3	3	3	3	3	3	3	3	3	3	3	3	3	3	3	3
4,00	3	3	3	3	3	3	3	3	3	3	3	3	3	3	3	3	3
4,50	3	3	3	3	3	3	3	3	3	3	3	3	3	3	3	3	3
5,00	3	3	3	3	3	3	3	3	3	3	3	3	3	3	3	3	3
5,50	3	3	3	3	3	3	3	3	3	3	3	3	3	3	3	3	3
6,00	3	3	3	3	3	3	3	3	3	3	3	3	3	3	3	3	3
6,50	3	3	3	3	3	3	3	3	3	3	3	3	3	3	3	3	3
7,00	3	3	3	3	3	3	3	3	3	3	3	3	3	3	3	3	3

Class 3 ≈ 48 Km/h

