

# ANEAS 80x80

ENG

## Highly effective traditional protection

This is a classic system that is ideal for installation on small terraces and other existing structures, because it is attached by means of supports that can be installed on vertical or horizontal surfaces.

Aneas is the ideal solution for all types of restaurants and businesses who are looking to create their own high performance personality, due to the various installation options that are available, along with the fact that the product is entirely manufactured from the highest quality aluminium.

### MOBILISATION



Motorized



Automated



Manual

### INSTALLATION POSSIBILITIES

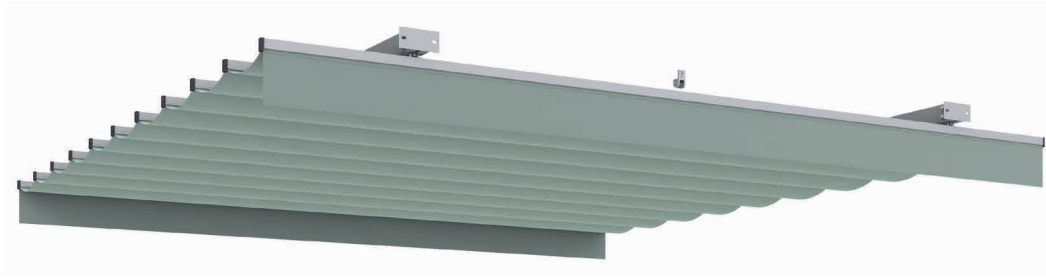


Terrace



Wrought

- ✓ **Compact size of 80x80** specially indicated for distinguished spaces.
- ✓ Able to **cover large areas**.



80x80 Wall to wall Aneas



80x80 Patio cover without crossbar Aneas



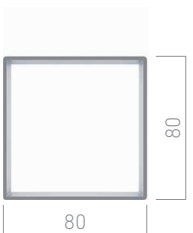
80x80 Patio cover with crossbar Aneas

## PROFILES

Measurements in mm.



Guide profile



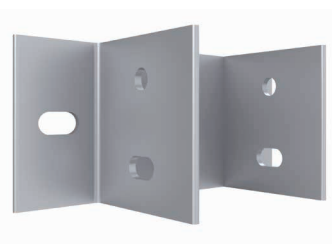
Structural profile

## SUPPORTS

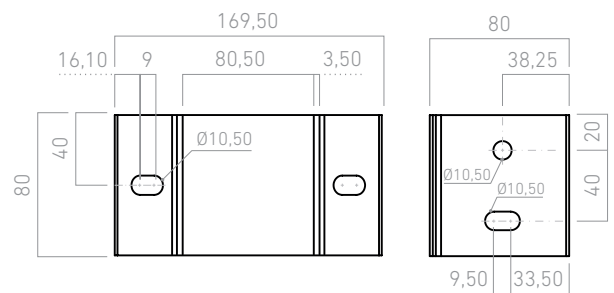
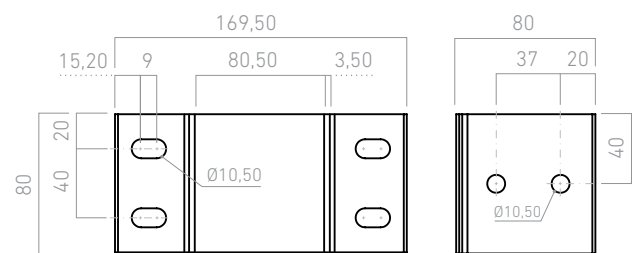
Measurements in mm.



Floor



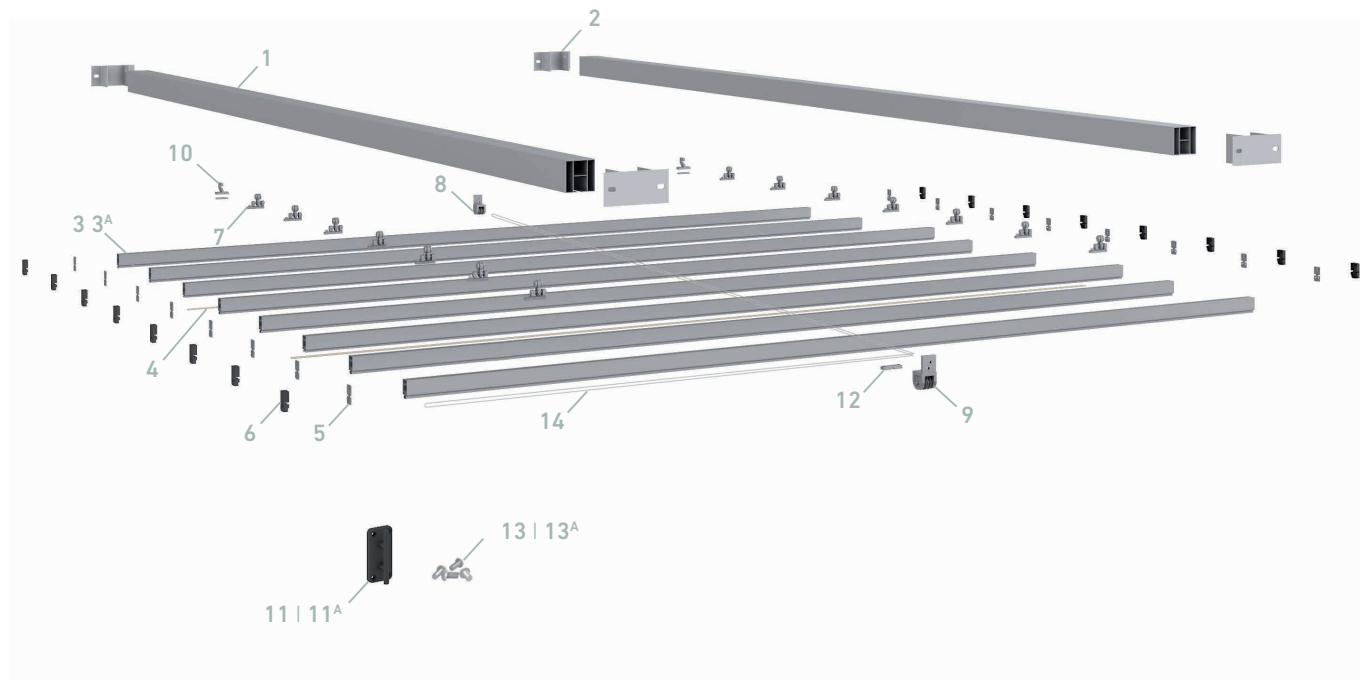
Wall



# ANEAS 80x80

## WALL TO WALL

024750



CODE	COMPONENTS
1	024647 Guide profile 80x80 mm
2	024679 Guide bracket 80x80 with drills
3	024624 Double pole cover profile Aneas
3 <sup>A</sup>	024623 Double pole cover profile Aneas LED
4	024608 Diffuser LED 14,3x3,5 PC Opal
5	024638 Inside cover double pole cover Aneas
6	024669 Outer cover double pole cover Aneas
7	022379 Reinforced nylon flange pulley with bearings
8	022084 Simple pulley

CODE	COMPONENTS
9	022593 Double pulley
10	022581 End hook kit
11	022129 Wall cleat for string plastic Aneas
11 <sup>A</sup>	022262 Wall cleat for string metallic Aneas
12	022111 Flange with string
13	024691 Screw kit for bracket Aneas 80x80
13 <sup>A</sup>	024692 Screw kit for motor bracket Aneas 80x80
14	022128 Rope for awning

### WIND RESISTANCE EN 13561:2004+A1:2008

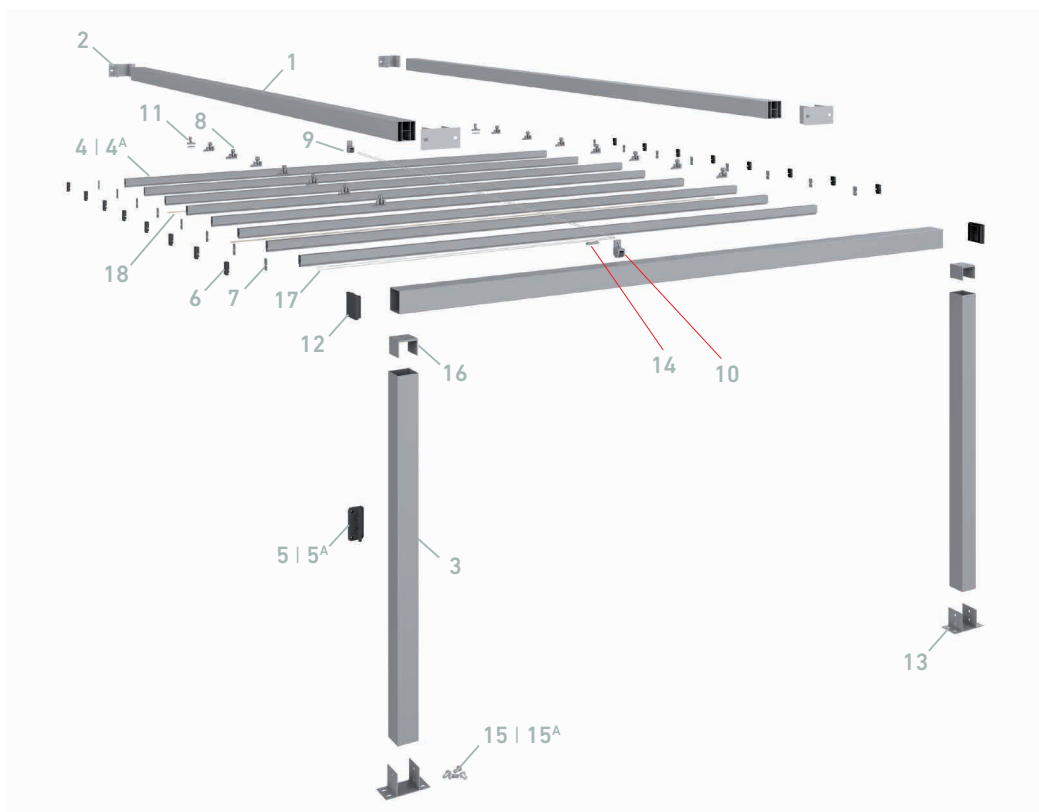
PROJECTION	2 GUIDES												3 GUIDES				
	WIDTH																
	2,00	2,25	2,50	2,75	3,00	3,25	3,50	3,75	4,00	4,25	4,50	4,75	5,00	5,50	6,00	6,50	7,00
2,00	3	3	3	3	3	3	3	3	3	3	3	3	3	2	2	2	2
2,50	3	3	3	3	3	3	3	3	3	3	3	3	3	2	2	2	2
3,00	3	3	3	3	3	3	3	3	3	3	3	3	3	2	2	2	2
3,50	3	3	3	3	3	3	3	3	3	3	3	3	3	2	2	2	2
4,00	3	3	3	3	3	3	3	3	3	3	3	3	3	2	2	2	2
4,50	3	3	3	3	3	3	3	3	3	3	3	3	3	2	2	2	2
5,00	3	3	3	3	3	3	3	3	3	3	3	3	3	2	2	2	2
5,50	2	2	2	2	2	2	2	2	2	2	2	2	2	1	1	1	1
6,00	2	2	2	2	2	2	2	2	2	2	2	2	2	1	1	1	1
6,50	2	2	2	2	2	2	2	2	2	2	2	2	2	1	1	1	1
7,00	2	2	2	2	2	2	2	2	2	2	2	2	2	1	1	1	1

Class 1	≈ 29 Km/h	Class 2	≈ 38 Km/h	Class 3	≈ 48 Km/h
---------	-----------	---------	-----------	---------	-----------

# ANEAS 80x80

## PATIO COVER WITHOUT CROSSBAR

024751



CODE	COMPONENTS
1	024647 Guide profile 80x80 mm
2	024679 Guide bracket 80x80 with drills
3	024646 Tube 80x80x2 mm
4	024624 Double pole cover profile Aneas
4 <sup>A</sup>	024623 Double pole cover profile Aneas LED
5	022129 Wall cleat for string plastic Aneas
5 <sup>A</sup>	022262 Wall cleat for string metallic Aneas
6	024669 Outer cover double pole cover Aneas
7	024638 Inside cover double pole cover Aneas
8	022379 Reinforced nylon flange pulley with bearings
9	022084 Simple pulley

CODE	COMPONENTS
10	022593 Double pulley
11	022581 End hook kit
12	024685 Tube cap 80X80
13	024682 Floor bracket 80x80 with drills
14	022111 Flange with string
15	024691 Screw kit for bracket Aneas 80x80
15 <sup>A</sup>	024692 Screw kit for motor bracket Aneas 80x80
16	024681 Internal support splice 80x80
17	022128 Rope for awning
18	024608 Diffuser LED 14,3x3,5 PC Opal

### WIND RESISTANCE EN 13561:2004+A1:2008

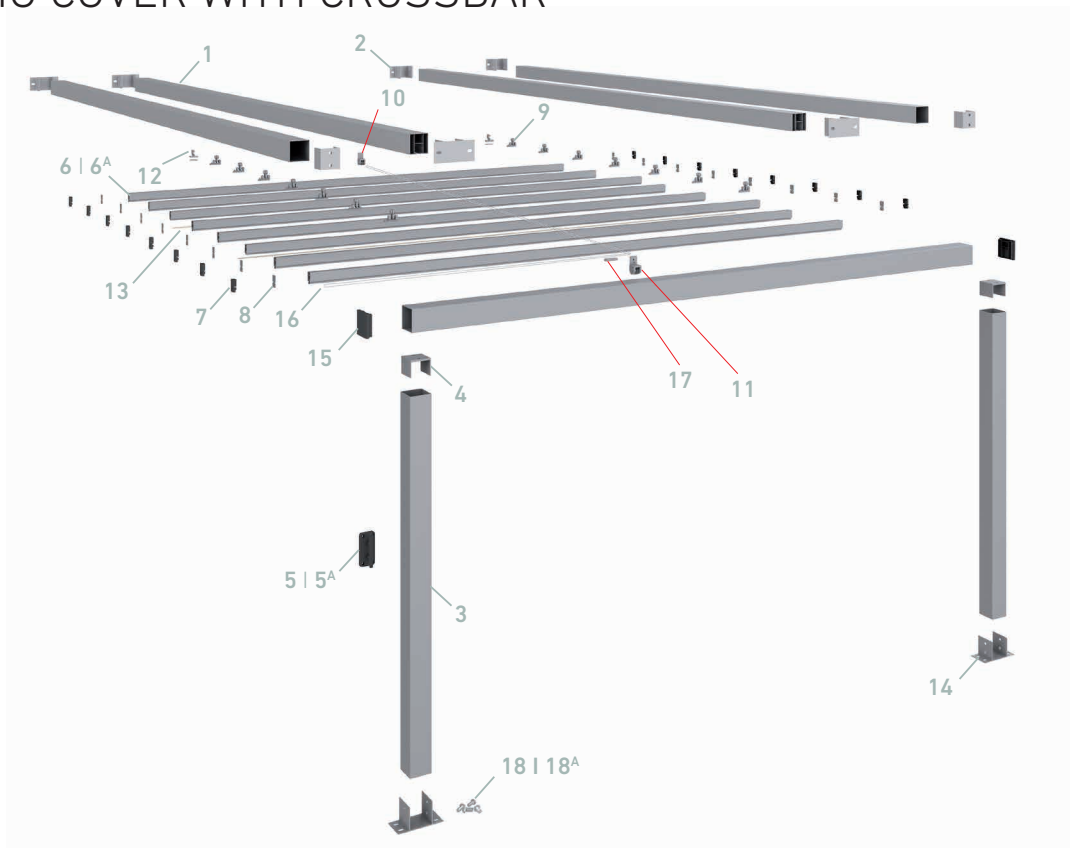
PROJECTION	2 GUIDES										3 GUIDES						
	WIDTH (m)																
	2,00	2,25	2,50	2,75	3,00	3,25	3,50	3,75	4,00	4,25	4,50	4,75	5,00	5,50	6,00	6,50	7,00
2,00	3	3	3	3	3	3	3	3	3	3	3	3	3	2	2	2	2
2,50	3	3	3	3	3	3	3	3	3	3	3	3	3	2	2	2	2
3,00	3	3	3	3	3	3	3	3	3	3	3	3	3	2	2	2	2
3,50	3	3	3	3	3	3	3	3	3	3	3	3	3	2	2	2	2
4,00	3	3	3	3	3	3	3	3	3	3	3	3	3	2	2	2	2
4,50	3	3	3	3	3	3	3	3	3	3	3	3	3	2	2	2	2
5,00	3	3	3	3	3	3	3	3	3	3	3	3	3	2	2	2	2
5,50	2	2	2	2	2	2	2	2	2	2	2	2	2	1	1	1	1
6,00	2	2	2	2	2	2	2	2	2	2	2	2	2	1	1	1	1
6,50	2	2	2	2	2	2	2	2	2	2	2	2	2	1	1	1	1
7,00	2	2	2	2	2	2	2	2	2	2	2	2	2	1	1	1	1

Class 1	≈ 29 Km/h	Class 2	≈ 38 Km/h	Class 3	≈ 48 Km/h
---------	-----------	---------	-----------	---------	-----------

# ANEAS 80x80

## PATIO COVER WITH CROSSBAR

024752



CODE	COMPONENTS
1	024647 Guide profile 80x80 mm
2	024679 Guide bracket 80x80 with drills
3	024646 Tube 80x80x2 mm
4	024681 Internal support splice 80x80
5	022129 Wall cleat for string plastic Aneas
5 <sup>A</sup>	022262 Wall cleat for string metallic Aneas
6	024624 Double pole cover profile Aneas
6 <sup>A</sup>	024623 Double pole cover profile Aneas LED
7	024669 Outer cover double pole cover Aneas
8	024638 Inside cover double pole cover Aneas
9	022379 Reinforced nylon flange pulley with bearings

CODE	COMPONENTS
10	022084 Simple pulley
11	022593 Double pulley
12	022581 End hook kit
13	024608 Diffuser LED 14,3x3,5 PC Opal
14	024682 Floor bracket 80x80 with drills
15	024685 80x80 cap tube
16	022128 Rope for awning
17	022111 Flange with string
18	024691 Screw kit for bracket Aneas 80x80
18 <sup>A</sup>	024692 Screw kit for motor bracket Aneas 80x80

### WIND RESISTANCE EN 13561:2004+A1:2008

PROJECTION	2 GUIDES										3 GUIDES						
	WIDTH																
	2,00	2,25	2,50	2,75	3,00	3,25	3,50	3,75	4,00	4,25	4,50	4,75	5,00	5,50	6,00	6,50	7,00
2,00	3	3	3	3	3	3	3	3	3	3	3	3	3	2	2	2	2
2,50	3	3	3	3	3	3	3	3	3	3	3	3	3	2	2	2	2
3,00	3	3	3	3	3	3	3	3	3	3	3	3	3	2	2	2	2
3,50	3	3	3	3	3	3	3	3	3	3	3	3	3	2	2	2	2
4,00	3	3	3	3	3	3	3	3	3	3	3	3	3	2	2	2	2
4,50	3	3	3	3	3	3	3	3	3	3	3	3	3	2	2	2	2
5,00	3	3	3	3	3	3	3	3	3	3	3	3	3	2	2	2	2
5,50	2	2	2	2	2	2	2	2	2	2	2	2	2	1	1	1	1
6,00	2	2	2	2	2	2	2	2	2	2	2	2	2	1	1	1	1
6,50	2	2	2	2	2	2	2	2	2	2	2	2	2	1	1	1	1
7,00	2	2	2	2	2	2	2	2	2	2	2	2	2	1	1	1	1

Class 1	≈ 29 Km/h	Class 2	≈ 38 Km/h	Class 3	≈ 48 Km/h
---------	-----------	---------	-----------	---------	-----------

