

AURA

ENG

Great solutions for small dimensions

It is the perfect option to meet the needs of spaces that require more compact solutions.

Thanks to the division of its arms, it offers greater durability and resistance. Independent lateral support systems are integrated, allowing double adjustment of the support and extension arm.

MOBILISATION



Motorized



Automated



Manual

INSTALLATION POSSIBILITIES



Window



Balcony



Terrace



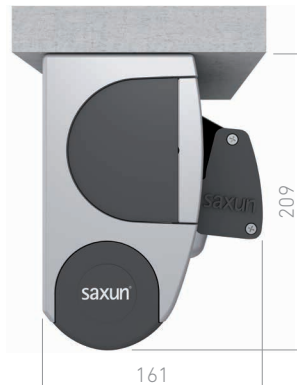
Wrought

- ✓ **Greater durability and resistance** thanks to the division of its arms.
- ✓ Independent **lateral support systems** where double adjustment of the bracket and extension arm are integrated.

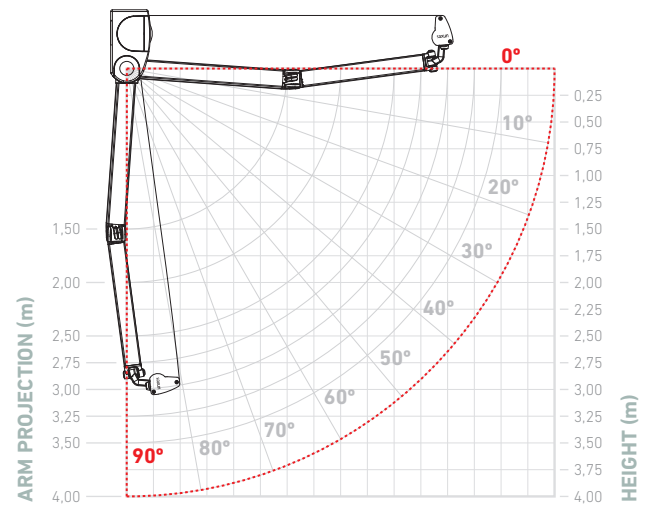


TYPES OF FIXING

Measurements in mm.



DEGREES OF INCLINATION



DEGREES OF INCLINATION

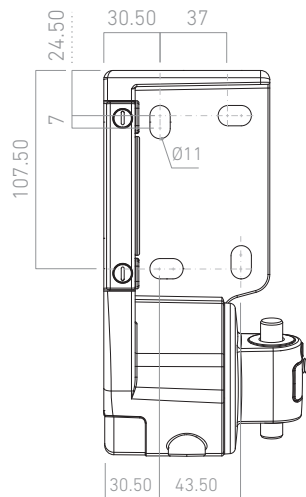
Front and ceiling installation	0° to 90°
--------------------------------	-----------

SUPPORT

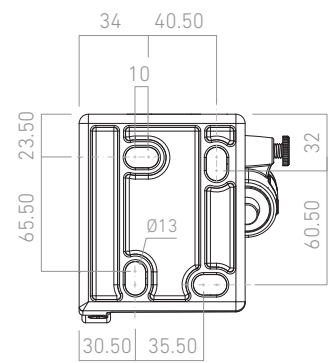
Medidas en mm.



Ceiling



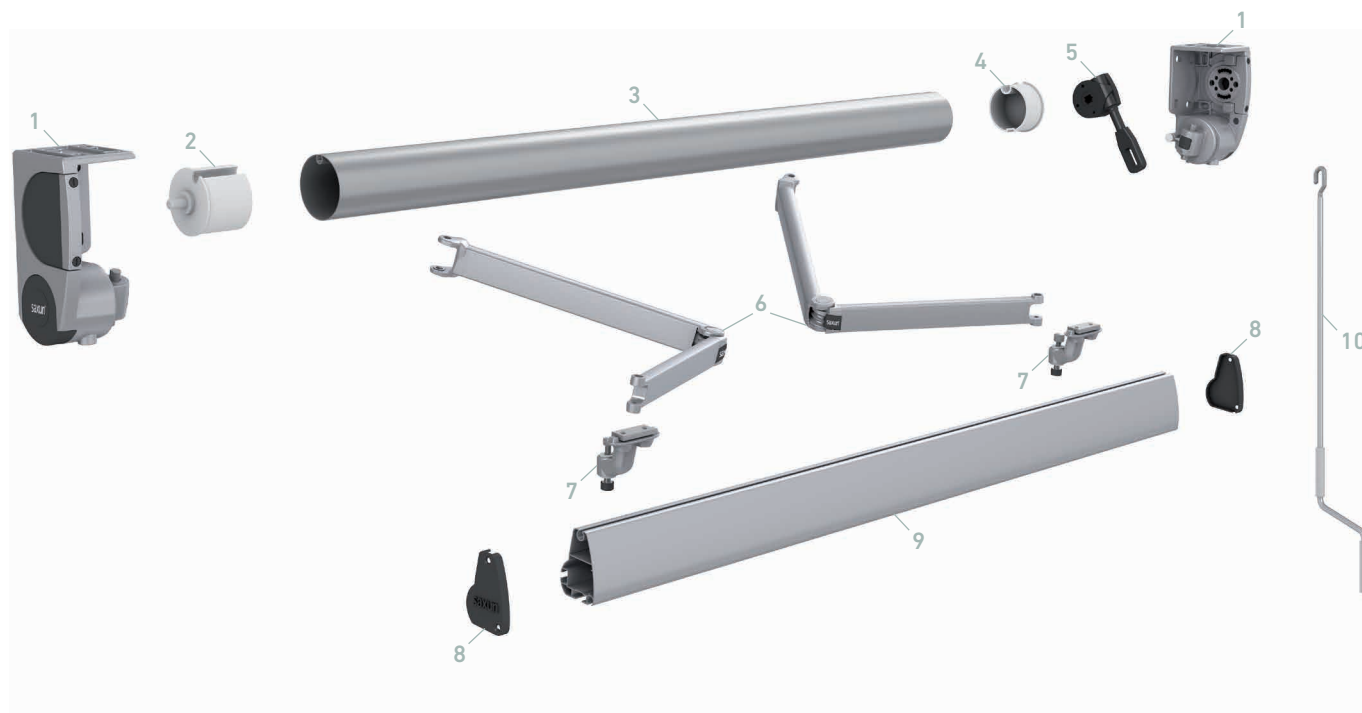
Front view



Top view

AURA

024350



CODE	COMPONENTS	CODE	COMPONENTS
1	022873 Set of brackets	6	022868 Set of arms
2	022268 Nylon round cap gear 12x20 ø70 round axle (from 3,75)	7	022875 Set of lower adjustments
3	022806 Axle ø70	8	022963 Set of caps for Tolper 80 profile
4	022271 Nylon round cap gear 13x35 ø70 square axle (from 3,75)	9	022495 Profile Tolper 80
5	024431 Gear Saxun awning 1:7 L80 Long screw	10	022819 Lacquered crank handle with a zinc-plated hook

WIND RESISTANCE EN 13561:2004+A1:2008

PROJECTION	WIDTH									
	2,00	2,25	2,50	2,75	3,00	3,25	3,50	3,75	4,00	
1,50	3	3	3	3	3	3	3	3	3	
2,00			2	2	2	2	2	2	2	
2,50					2	2	2	2	2	

Class 2	≈ 38 Km/h	Class 3	≈ 48 Km/h
---------	-----------	---------	-----------

LOAD PROFILE BOX

024225



Load profile box mounted



Load profile box detailed sketch

CODE	COMPONENTS
1	030501 Axle $\varnothing 45$
2	024168 Load profile Box
3	024165 Load profile Box end cap
4	051033 Plastic cap with flange 6,3 mm
5	030176 Crank - axle 50/60 17 kg (Saxun)
6	024211 Rod with eyebolt C6x50

CODE	COMPONENTS
7	024200 Set of load profile Box covers
8	030561 Axle cup square bolt crank axle $\varnothing 45$
9	030403 Axle cup axle $\varnothing 45$
10	024083 Extensible support for front profile
11	022819 Lacquered crank handle with a zincod hook

