

HERTA

ENG

Solidity and protection for different terraces

This double-exit awning is ideal for installation in areas where there is no wall, ceiling or support surface, and is very useful in areas with no buildings.

Protection on both sides is achieved via its solid structure which is designed to support the articulated sun protection mechanism, consolidating it as a solution for restaurant and hotel terraces.



MOBILISATION



Motorized



Automated



Manual

INSTALLATION POSSIBILITIES



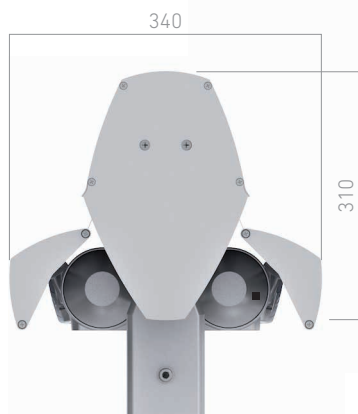
Terrace

- ✓ **The support profiles are made of steel**, which guarantees their durability.
- ✓ **Fabric designed to be rolled up on the same tube**, which facilitates opening and closing.
- ✓ **Structure support through a fixed end cap** with holes for optimal anchoring.



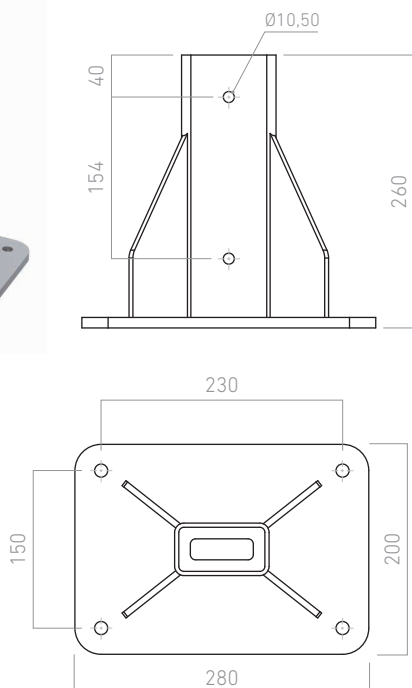
SIDE VIEW

Measurements in mm.

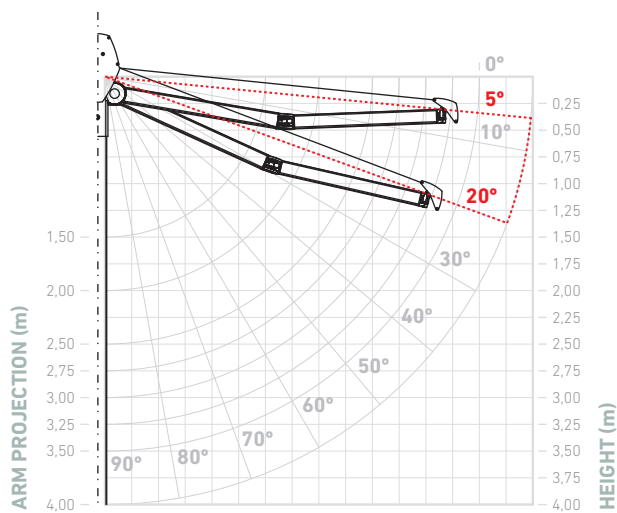


SUPPORT

Measurements in mm.



DEGREES OF INCLINATION



DEGREES OF INCLINATION

Floor installation

5° to 20°

024353
HERTA

024353



CODE	COMPONENTS
1	024337 Half box bracket Herta
2	024327 Cover awning profil Herta
3	022807 Axle ø80
4	022912 Tube 80x40x2
5	022917 Arm bracket
6	022640 Set of retractable arms
7	024336 Herta chapter

CODE	COMPONENTS
8	024338 Fixed base 280x200 Herta
9	024335 Load bar profile Herta
10	024340 Set end cap B/C Herta
11	502732 Universal support Op Hibro Somfy
12	030569 Support bolt ø78
13	022576 Nylon round cap gear ø80 hollow ø14 and bearing
14	502897 Crown LT60 - Rollerbat ø80

