

HYBRIS

ENG

Total angularity for spaces with personality

Designed to protect vertical surfaces, it allows a deployment angle of almost 180°, guaranteeing permanent solar protection and covering all sunlight angles.

It offers formidable wind resistance via its arms which feature a torsion spring system, ensuring that the canvas is taut at all times and that ventilation is optimal.

MOBILISATION



Motorized



Automated

INSTALLATION POSSIBILITIES

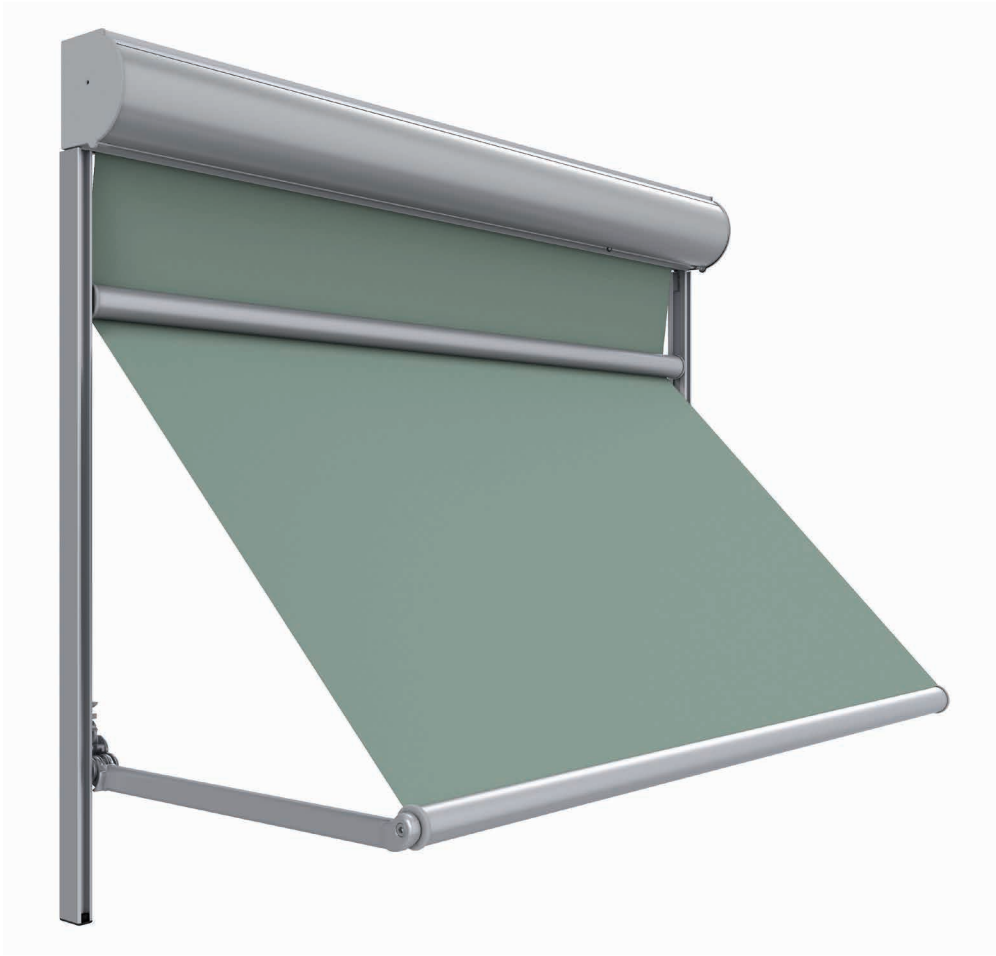


Window



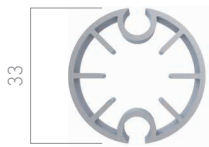
Balcony

- ✓ The canvas is vertical and **allows you to adjust a height** from which to lower the arm, at an inclination.
- ✓ **Choice of ceiling or wall mounting.**
- ✓ **Easy installation.**



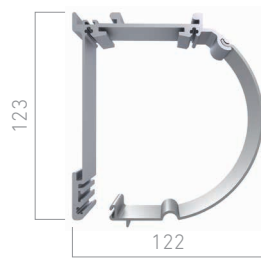
COUNTERWEIGHT BOTTOM

Measurements in mm.



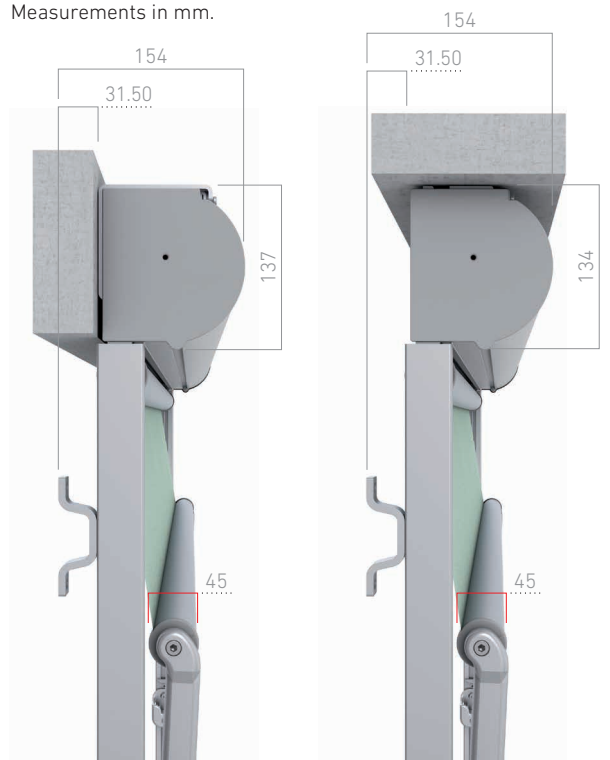
BOX

Measurements in mm.



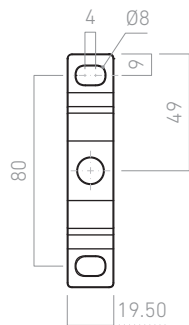
INSTALLATION

Measurements in mm.



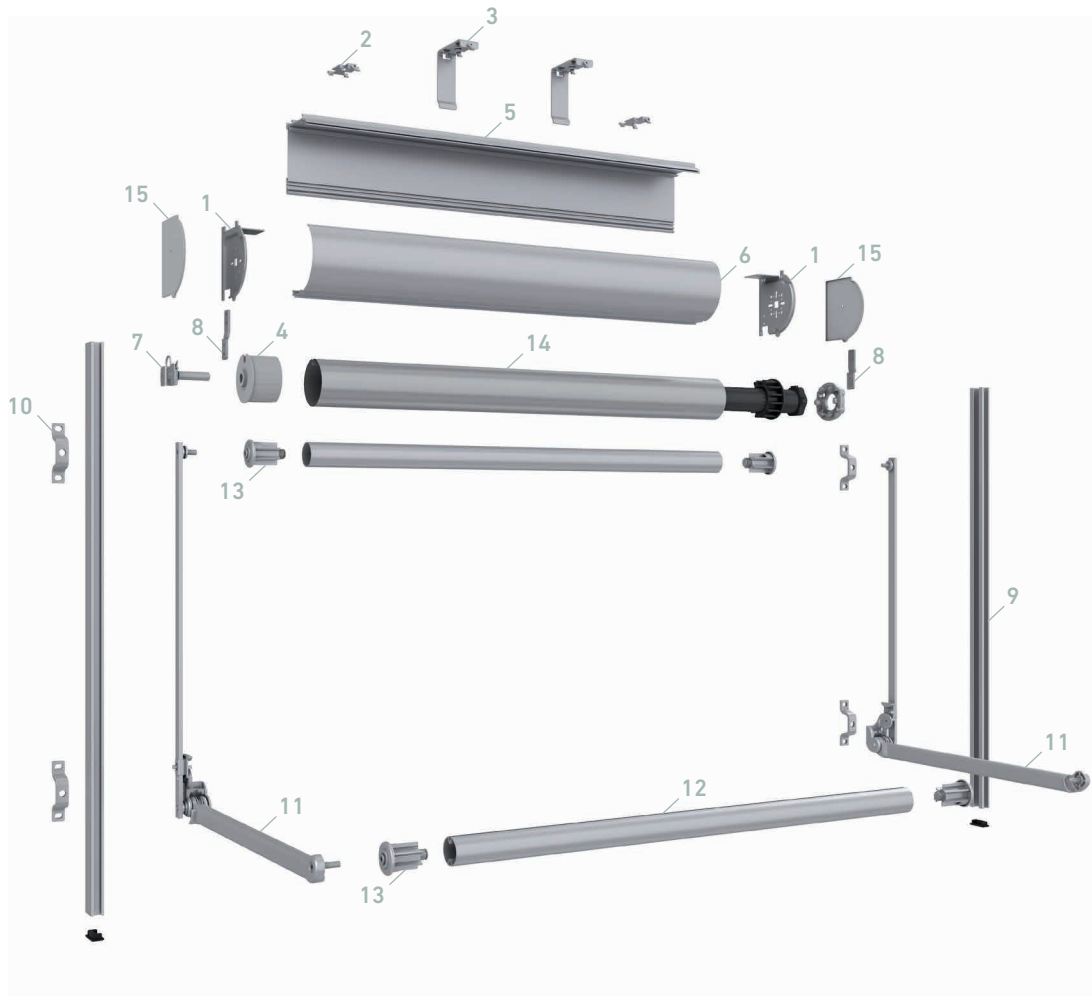
SUPPORTS

Measurements in mm.



HYBRIS

022021



CODE	COMPONENTS
1	030547 Set of end plates Saxun Box 110
2	030540 Ceiling bracket Saxun Box 110
3	030542 Wall bracket Saxun Box 110
4	030538 Roller cup motor/gear - axle 78
5	004275 Aluminium box front cover Saxun Box 110 mm
6	004274 Aluminium box back cover Saxun Box 110 mm
7	030569 Roller cap bolt axle 78
8	030212 Set of guide joint 33x23 Saxun Box 110

CODE	COMPONENTS
9	030519 Guide aluminium 33x23
10	030096 Inox edge bracket 8 mm
11	030703 Set folding arms 110
12	030182 Aluminium bottom profile 110
13	030324 Cap for counterweight bottom bar Saxun Box 110
14	022807 Axle ø80
15	030216 Set of end plates cover Saxun Box 110

WIND RESISTANCE EN 13561:2004+A1:2008

PROJECTION	WIDTH											
	1,25	1,50	1,75	2,00	2,25	2,50	2,75	3,00	3,25	3,50	3,75	4,00
1,00	3	3	3	3	3	3	3	3	3	3	3	3
1,25	3	3	3	3	3	3	3	3	3	3	3	3
1,50	3	3	3	3	3	3	3	3	3	3	3	3
1,75	3	3	3	3	3	3	3	3	3	3	3	3
2,00	3	3	3	3	3	3	3	3	3	3	3	3
2,25	3	3	3	3	3	3	3	3	3	3	3	3
2,50	3	3	3	3	3	3	3	3	3	3	3	3
2,75	3	3	3	3	3	3	3	3	3	3	3	3
3,00	3	3	3	3	3	3	3	3	3	3	3	3

Class 3 ≈ 48 Km/h

