

JANA

ENG

Avant-garde wellness

Attractive and avant-garde system comprising a motorised awning that allows the movement of canvas, with continuous tension provided by a system of tensioning springs or pistons.

Ideal for greenhouses, gardens and glass roofs, and provides pleasant shade easily and quickly for all types of projects.

MOBILISATION



Motorized



Automated

INSTALLATION POSSIBILITIES



Terrace



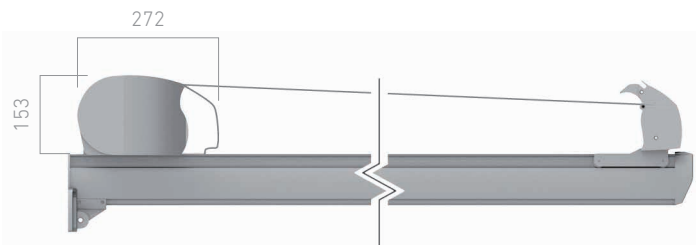
Wrought

- ✓ **Allows the canvas to be changed** with no need to dismantle guides or remove the box.
- ✓ **With a minimum inclination of 15°.**



SIDE VIEW

Measurements in mm.



TOP VIEW

PROJECTION

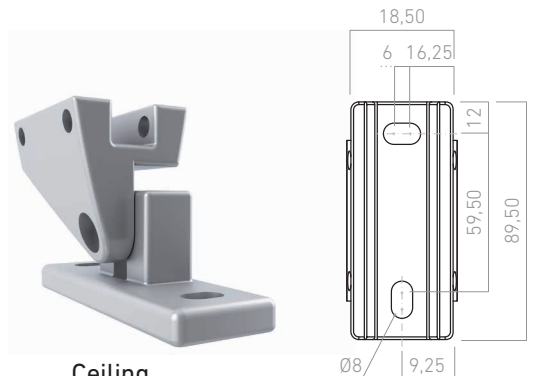
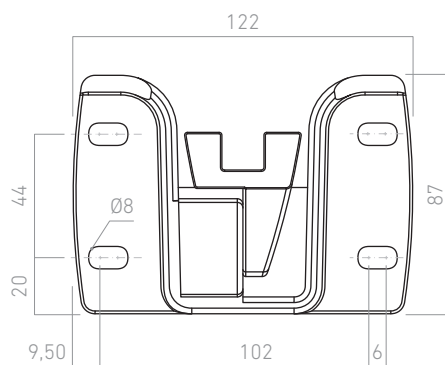


SUPPORTS

Measurements in mm.



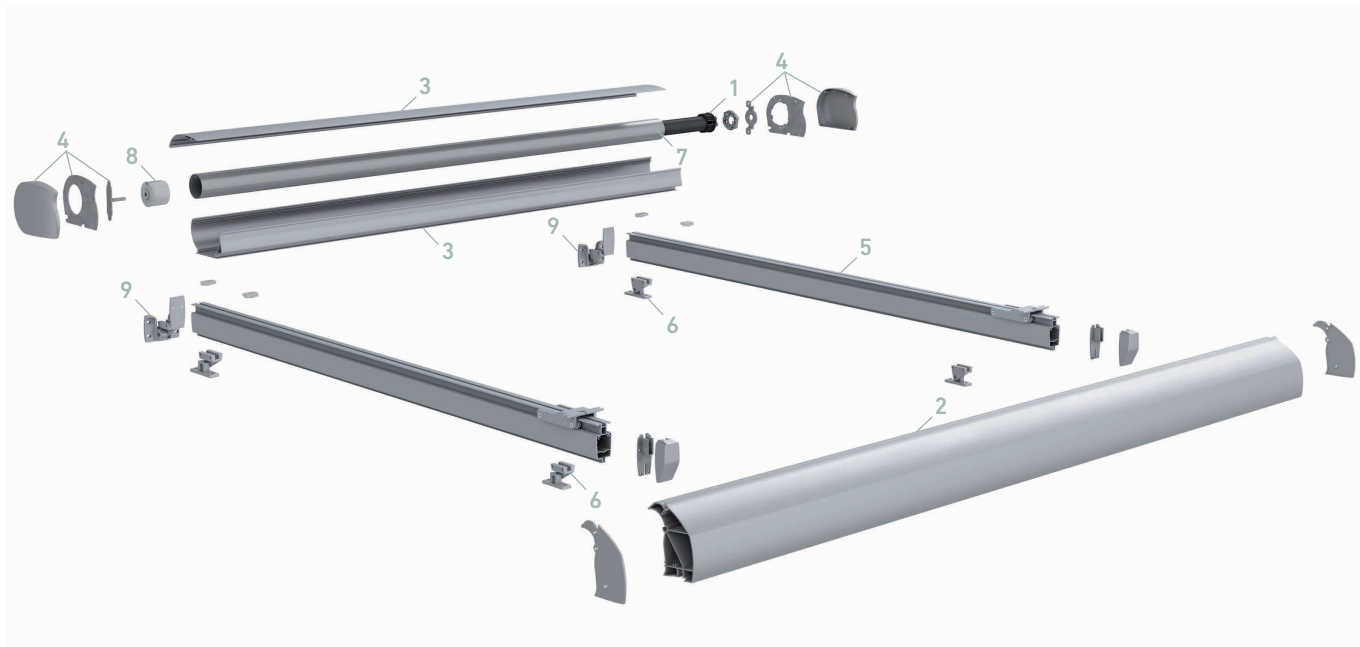
Wall



Ceiling

JANA (WITH GUIDES AND PISTON)

022135



| CODE | COMPONENTS |
|------|---|
| 1 | - Motor radio (box) |
| 2 | 022526 Veranda Eos bar profile |
| 3 | 022536 Set of Veranda Eos profiles |
| 4 | 022718 Set of Veranda Eos bottom weith caps |
| 5 | 022652 Kit guides Veranda Eos |

| CODE | COMPONENTS |
|------|---|
| 6 | 022702 Set of Veranda Eos brackets on roof |
| 7 | 022325 Axle ø85 |
| 8 | 022326 Point nylon round cap ø85 |
| 9 | 022556 Brackets wall Veranda Eos (optional) |

WIND RESISTANCE EN 13561:2004+A1:2008

| PROJECTION | WIDTH | | | | | | |
|------------|-------|------|------|------|------|------|------|
| | 2,00 | 2,50 | 3,00 | 3,50 | 4,00 | 4,50 | 5,00 |
| 2,50 | 2 | 2 | 2 | 2 | 2 | 2 | 2 |
| 3,00 | 2 | 2 | 2 | 2 | 2 | 2 | 2 |
| 4,00 | 2 | 2 | 2 | 2 | 2 | 2 | 2 |
| 5,00 | 2 | 2 | 2 | 2 | 2 | 2 | 2 |

| | |
|---------|-----------|
| Class 2 | ≈ 38 Km/h |
|---------|-----------|

