

LINA

ENG

Total simplicity of installation

Attractive and avant-garde system comprising a motorised awning that allows the movement of canvas, with continuous tension provided by a system of tensioning springs or pistons.

Ideal for greenhouses, gardens and glass roofs, and provides pleasant shade easily and quickly for all types of projects.

MOBILISATION



Motorized



Automated

INSTALLATION POSSIBILITIES



Terrace



Wrought

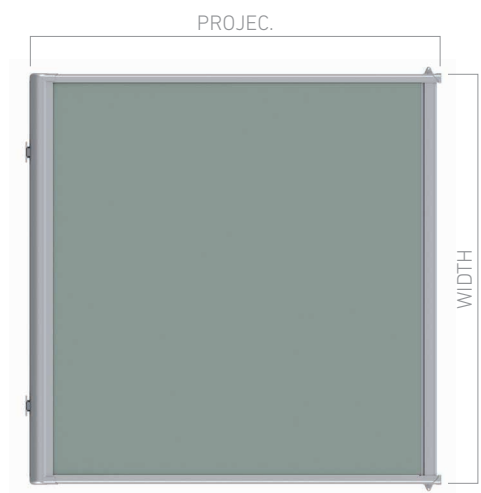
- ✓ The canvas does not enter the guides, thus facilitating **lateral drainage**.
- ✓ Incorporation of a central guide that allows the **joining of two awnings** and thus greater widths.



SIDE VIEW

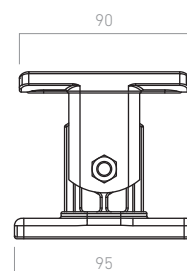
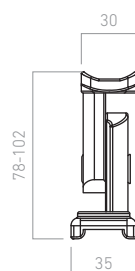
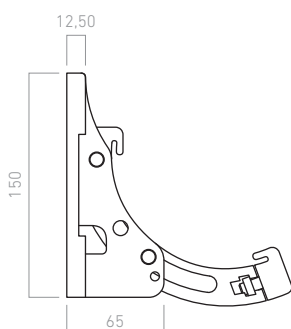
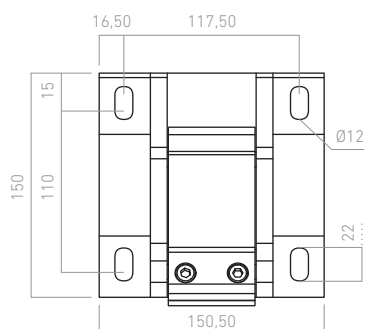


TOP VIEW



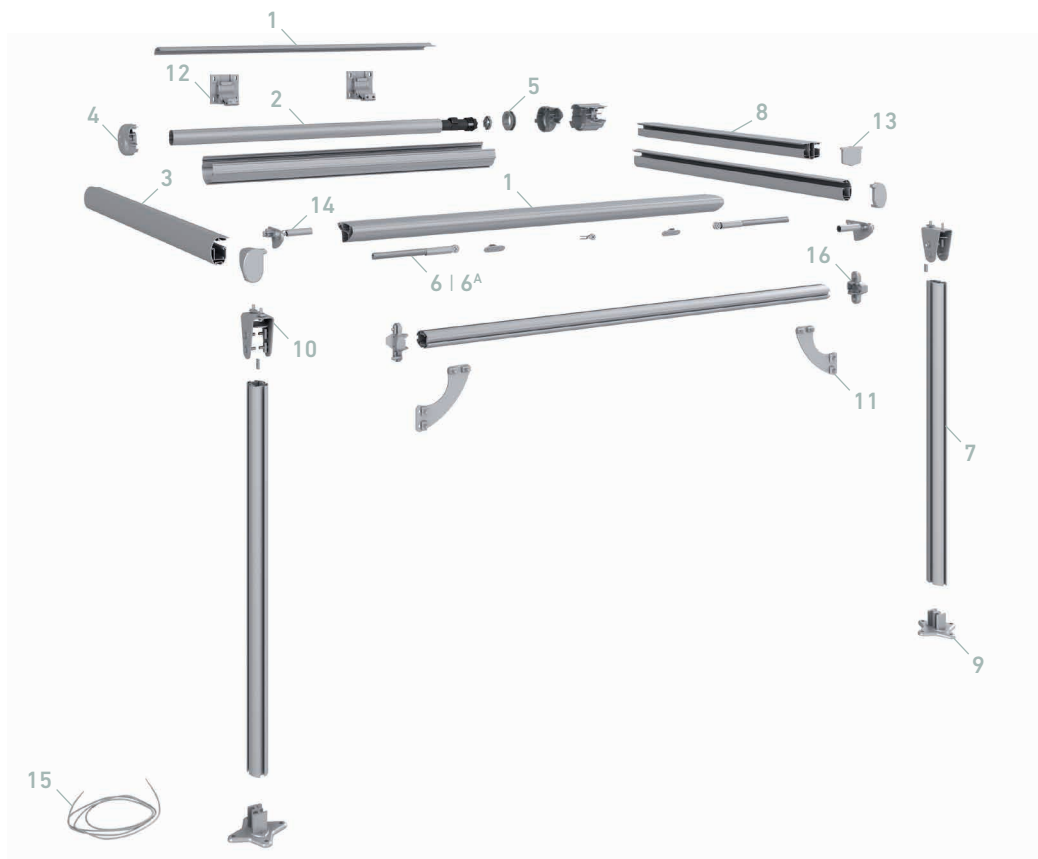
SUPPORTS

Measurements in mm.



LINA (WITH GUIDES AND DOCK)

022038



CODE	COMPONENTS
1	022519 Kit of profiles Giotto
2	022807 Axle ø80
3	022508 Guide profile Giotto
4	022716 Box and guide side caps kit
5	022576 Nylon round cap ø80 hole ø14 and bearing
6	022734 Tension spring ø19 364 mm Giotto
6 ^A	022241 Tension spring ø19 540 mm Giotto
7	022538 Universal profile fixing (only with structure)
8	022240 Central guide Giotto (optional)

CODE	COMPONENTS
9	022752 Fixing profile floor bracket (only with structure)
10	022246 Joint cap set for guide Giotto (only with structure)
11	022247 Angle bracket Giotto (only with structure)
12	022248 Wall bracket for box Giotto (optional)
13	022239 Central cover and central guide cap Giotto (optional)
14	022713 Tension set and terminal caps
15	022584 Polyester strip ø 3 mm
16	022245 Perimeter bracket for guide

WIND RESISTANCE EN 13561:2004+A1:2008

PROJECTION	WIDTH						
	2,00	2,50	3,00	3,50	4,00	4,50	5,00
2,00	1	1	1	1	1	1	1
2,25	1	1	1	1	1	1	1
2,50	1	1	1	1	1	1	1
2,75	1	1	1	1	1	1	1
3,00	1	1	1	1	1	1	1
3,25	1	1	1	1	1	1	1
3,50	1	1	1	1	1	1	1
3,75	1	1	1	1	1	1	1
4,00	1	1	1	1	1	1	1

Class 1	≈ 29 Km/h
---------	-----------

