

METIS

Effectiveness on windy days

This blind awning system integrates the arms into the sides of the awning, allowing them to be retrieved and folded vertically on the wall.

This is an ideal system for windows since they cover 180°, protecting the entire space. The inside of the arm is fitted with a spring that exerts constant pressure and prevents movement due to wind.

MOBILISATION



Motorized



Automated



Manual

INSTALLATION POSSIBILITIES



Window



Balcony

- ✓ Constant tension of the canvas.
- ✓ Choice of **ceiling or wall mounting**.
- ✓ **Fully vertical coverage**.



TYPES OF FIXING

SUPPORT

Measurements in mm.



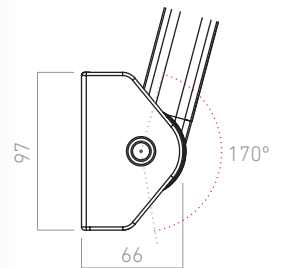
Frontal



Ceiling

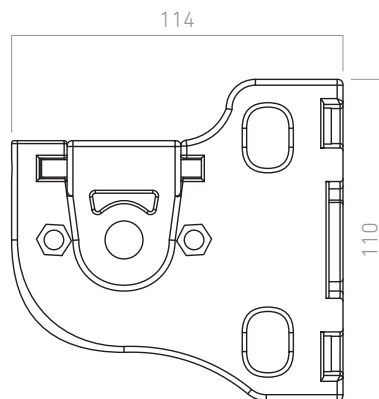


Wall and balcony system

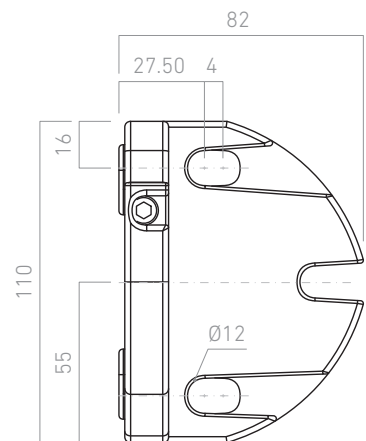


SUPPORT

Measurements in mm.



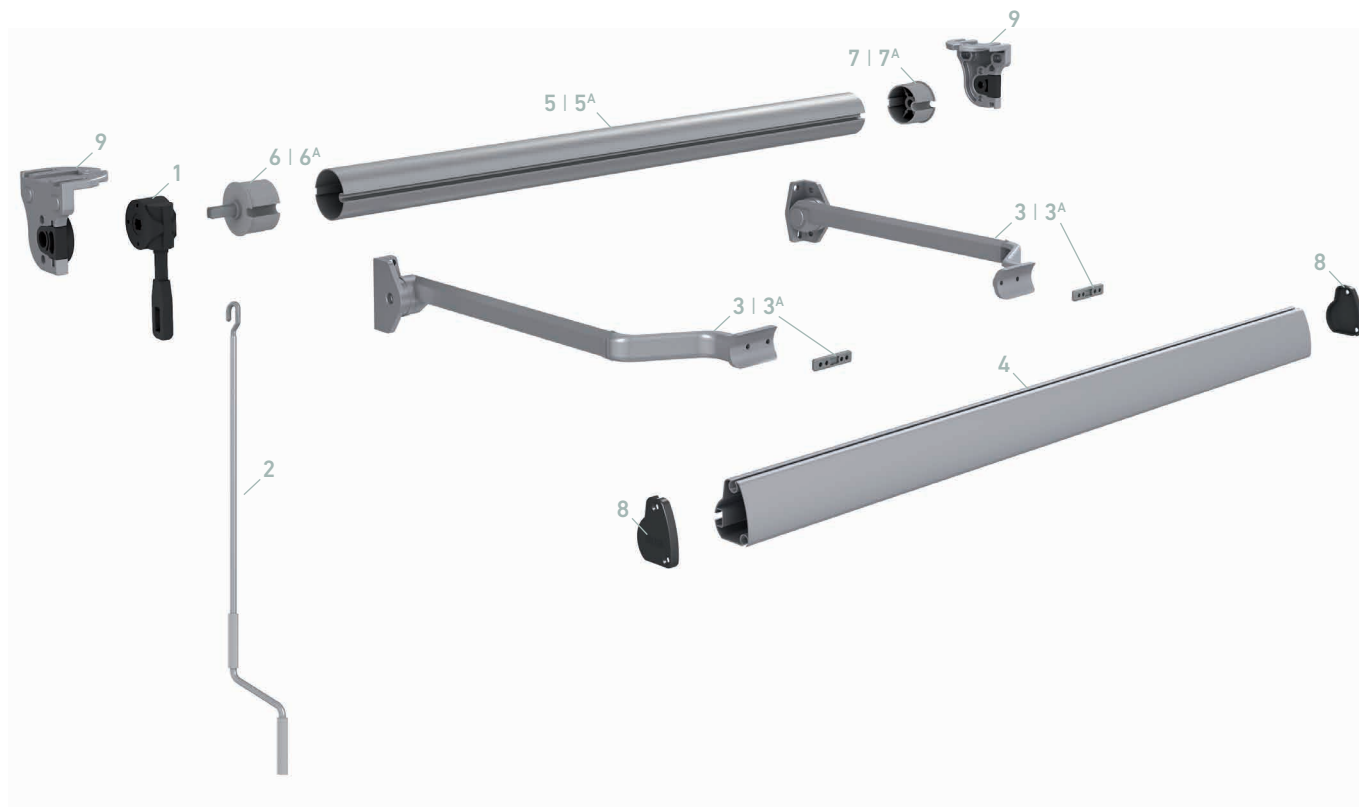
Side view



Top view

METIS

022131



CODE	COMPONENTS
1	024431 Gear Saxun awning 1:7 L80 Long screw
2	022819 Lacquered crank handle with a zined hook
3	022821 Curved arms with semi-tension (up to 1,20)
3 ^A	022082 Curved arms with semi-tension (from 1,20)
4	022494 Profile Tolper 62
5	022805 Axle ø60
5 ^A	022806 Axle ø70

CODE	COMPONENTS
6	022269 Nylon round cap gear 13x35 ø60 square axle (up to 3,75)
6 ^A	022271 Nylon round cap gear 13x35 ø70 square axle (from 3,75)
7	022267 Nylon round cap gear 12x20 ø60 round axle (up to 3,75)
7 ^A	022268 Nylon round cap gear 12x20 ø70 round axle (from 3,75)
8	022962 Set of Tolper 62 profile end sides
9	022833 Set of injection brackets without round pivot

WIND RESISTANCE EN 13561:2004+A1:2008

PROJECTION	WIDTH																			
	1,50	1,75	2,00	2,25	2,50	2,75	3,00	3,25	3,50	3,75	4,00	4,25	4,50	4,75	5,00	5,25	5,50	5,75	6,00	
0,80	3	3	3	3	3	3	3	3	3	3	3	3	3	3	3	3	3	3	3	3
0,90	3	3	3	3	3	3	3	3	3	3	3	3	3	3	3	3	3	3	3	3
1,00	3	3	3	3	3	3	3	3	3	3	3	3	3	3	3	3	3	3	3	3
1,10	3	3	3	3	3	3	3	3	3	3	3	3	3	3	3	3	3	3	3	3
1,20	3	3	3	3	3	3	3	3	3	3	3	3	3	3	3	3	3	3	3	3
1,30	3	3	3	3	3	3	3	3	3	3	3	3	3	3	3	3	3	3	3	3
1,40	3	3	3	3	3	3	3	3	3	3	3	3	3	3	3	3	3	3	3	3
1,50	3	3	3	3	3	3	3	3	3	3	3	3	3	3	3	3	3	3	3	3

Class 3

≈ 48 Km/h

