

PALAS

ESP

Maximum output for efficient façades

Awning with cassette and extendable arms with the possibility of integrating a double sheathed chain made of stainless steel.

With a maximum line of 7 metres and a maximum exit of 3.60, the adaptability of the system will provide efficient solutions for all types of requirements.

MOBILISATION



Motorized



Automated

INSTALLATION POSSIBILITIES



Window



Balcony

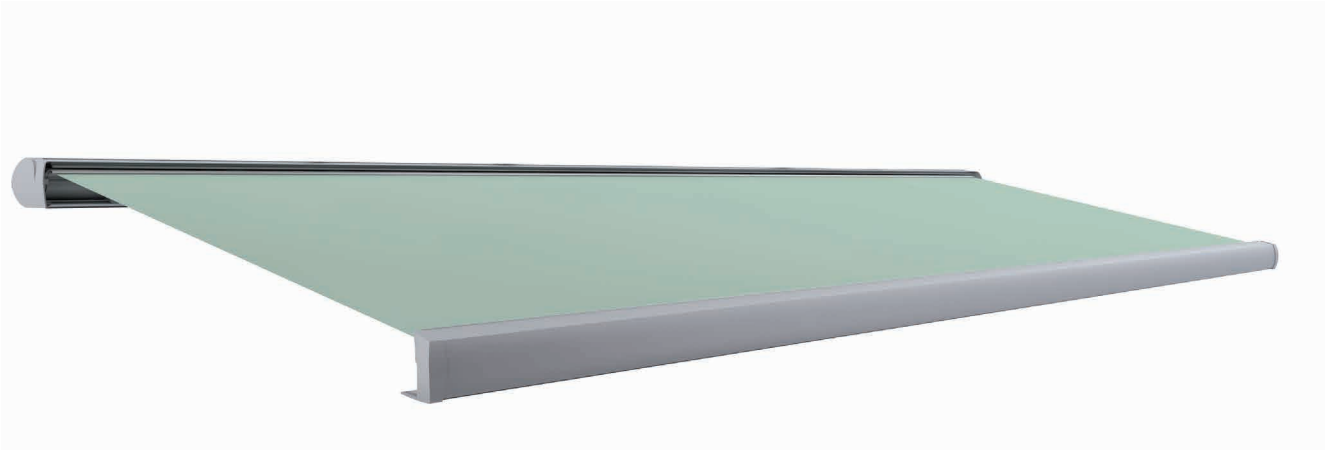


Terrace



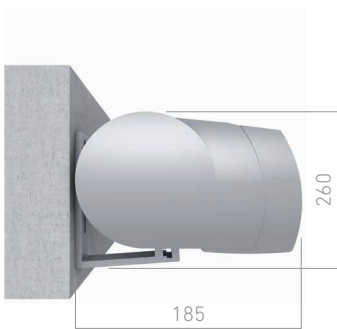
Wrought

- ✓ **Structural composition** that allows the arms to move along the line.
- ✓ **Option to install a third arm** if the dimensions allow it.
- ✓ **Option to install more anchorage supports.**

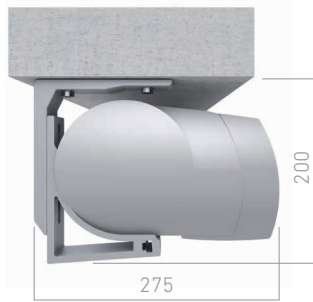


TYPES OF FIXING

Measurements in mm.

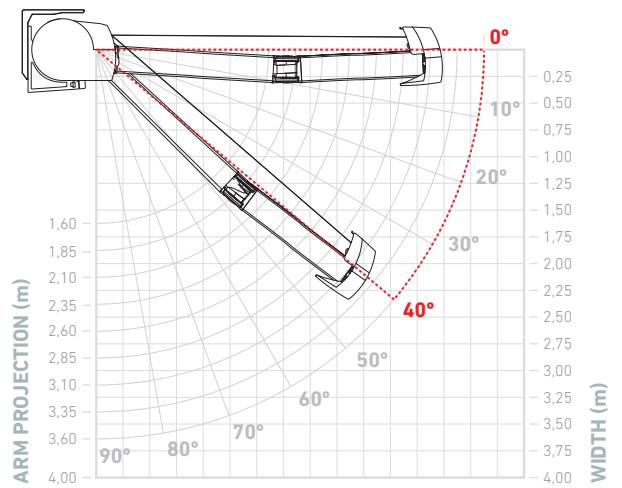


Frontal



Ceiling

DEGREES OF INCLINATION



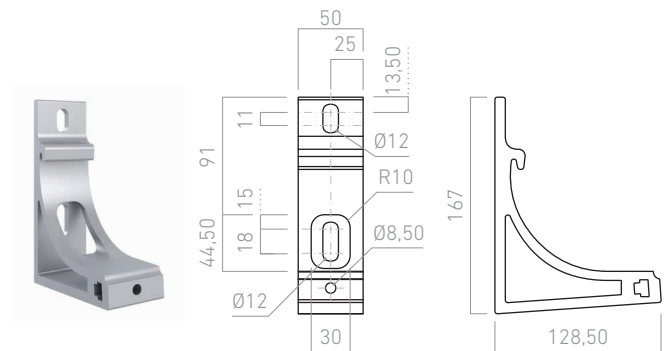
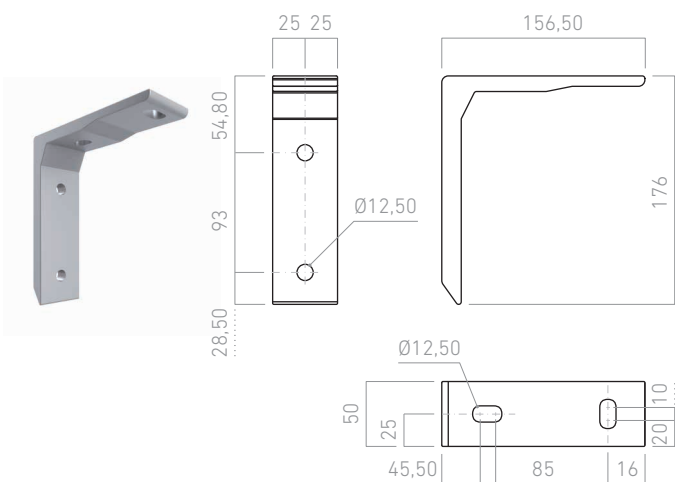
DEGREES OF INCLINATION

Front and ceiling installation

0° to 40°

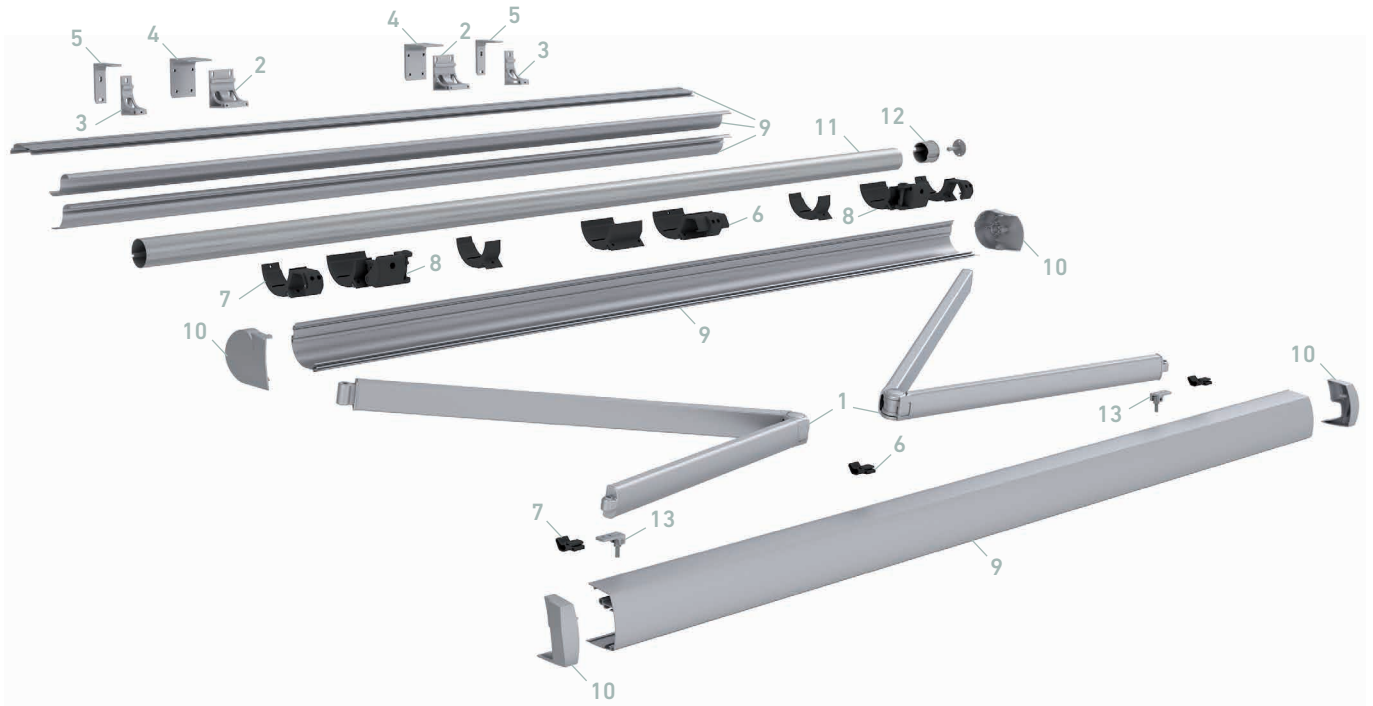
SUPPORTS

Measurements in mm.



PALAS

024565



CODE	COMPONENTS
1	022609 Set of chain arms
2	022504 Set of wall brackets 120 mm
3	022250 Set of wall brackets 50 mm
4	022251 Set of ceiling brackets 120 mm
5	022505 Set of ceiling brackets 50 mm
6	022252 Kit conveyer box 120 mm
7	022253 Kit conveyer box 50 mm

CODE	COMPONENTS
8	022225 Kit bracket folding arm
9	022531 Box profile kit
10	022717 Set of bottom weight caps
11	022807 Axle 80
12	022576 Nylon round cap ø80 hole ø14
13	022649 Arms picking runners
14	022227 Set of adjustment arms

WIND RESISTANCE EN 13561:2004+A1:2008

PROJECTION	2 ARMS					3 ARMS			
	WIDTH								
	3,00	3,50	4,00	4,50	5,00	5,50	6,00	6,50	7,00
1,60	2	2	2	2	2	2	2	2	2
1,85	2	2	2	2	2	2	2	2	2
2,10	2	2	2	2	2	2	2	2	2
2,35	2	2	2	2	2	2	2	2	2
2,60	2	2	2	2	2	2	2	2	2
2,85		2	2	2	2	2	2	2	2
3,10			2	2	2	2	2	2	2
3,35			2	2	2	2	2	2	2
3,60				2	2	2	2	2	2

Class 2 ≈ 38 Km/h

