

SRS

ENG

Maximum simplicity for the professional

An outdoor system with multiple installation options that addresses a wide range of requirements both for the housing sector and for industrial and service uses.

Its avant-garde design and the versatility provided by the wide range of fabrics, colours and finishes to choose from are sure to satisfy the requirements of each space.

MOBILISATION



Motorized



Automated

INSTALLATION POSSIBILITIES



Window



Balcony



Terrace



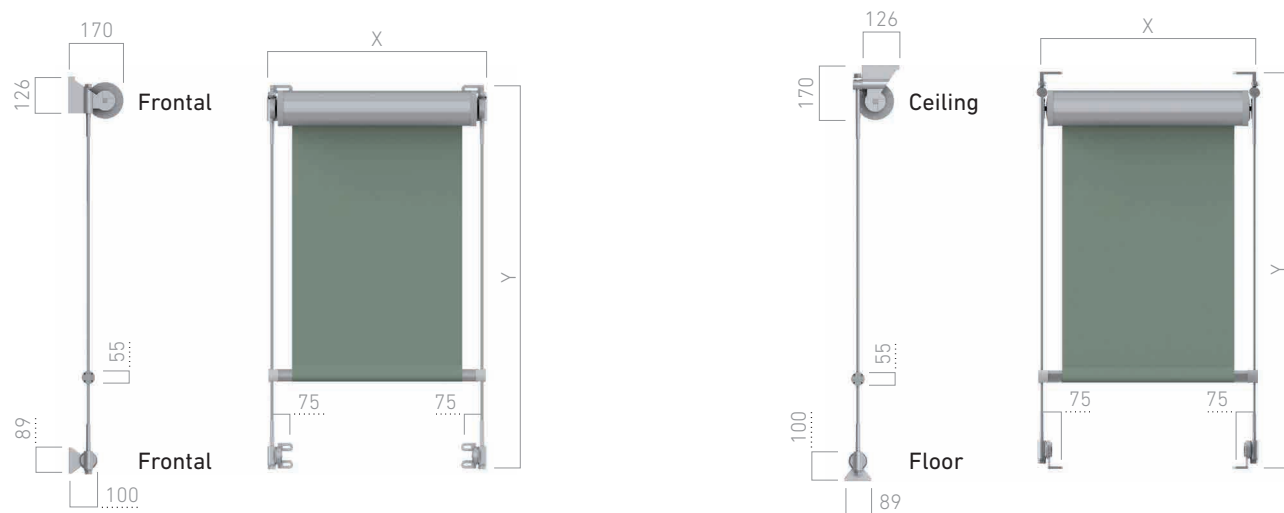
Wrought

- ✓ **Total protection of the canvas** thanks to the effectiveness of its cassette.
- ✓ **Canvas guidance** via steel cables.
- ✓ **Easy installation on ceilings or walls.**



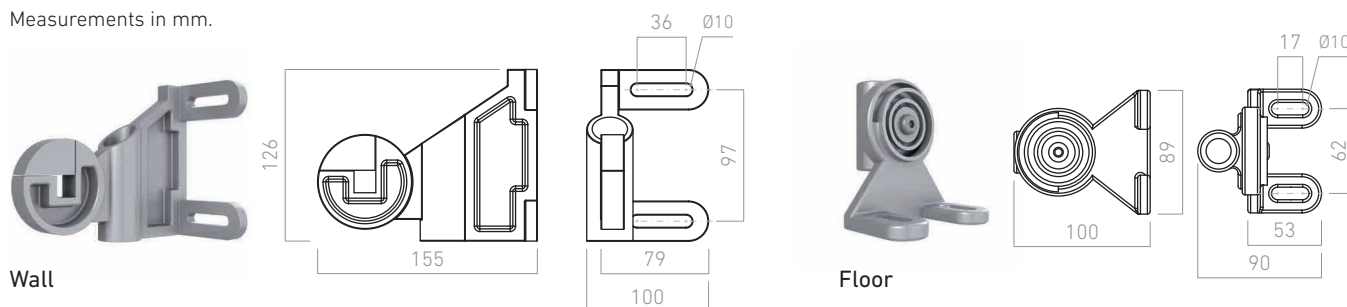
TYPES OF FIXING

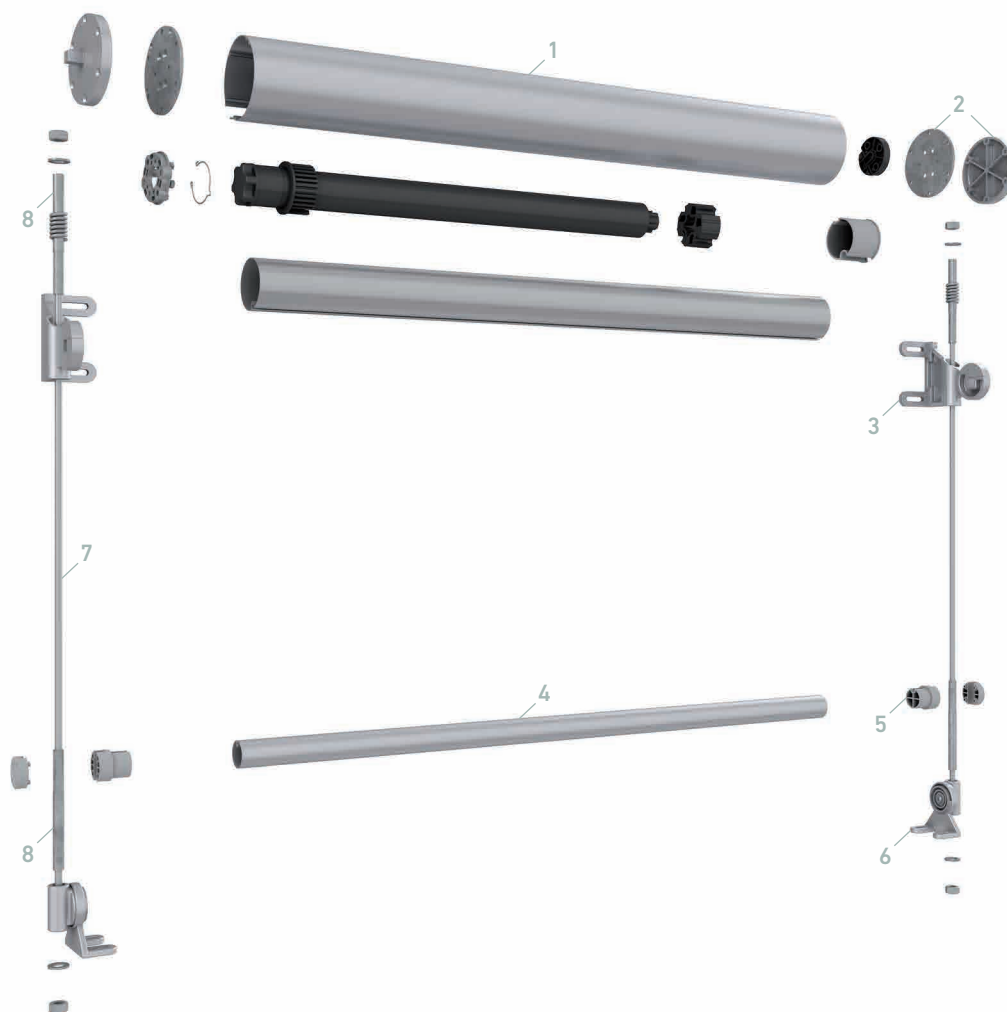
Measurements in mm.



SUPPORTS

Measurements in mm.





CODE	COMPONENTS
1	030357 Box for SRS system
2	030361 Set of end caps for SRS system
3	030360 Set of box support for SRS system
4	030358 Bottom weight for SRS system

CODE	COMPONENTS
5	030364 Bottom weight end caps for SRS system
6	030359 Cable bottom bracket for SRS system
7	030362 Cable for tense for SRS system
8	030365 Cable tensioner for SRS system

WIND RESISTANCE EN 13561:2004+A1:2008

HEIGHT	WIDTH												
	1,60	1,80	2,00	2,20	2,40	2,60	2,80	3,00	3,20	3,40	3,60	3,80	4,00
1,60	3	3	3	3	3	3	3	3	3	3	3	3	3
1,80	3	3	3	3	3	3	3	3	3	3	3	3	3
2,00	3	3	3	3	3	3	3	3	3	3	3	3	3
2,20	3	3	3	3	3	3	3	3	3	3	3	3	3
2,40	3	3	3	3	3	3	3	3	3	3	3	3	3
2,60	3	3	3	3	3	3	3	3	3	3	3	3	3
2,80	3	3	3	3	3	3	3	3	3	3	3	3	3
3,00	3	3	3	3	3	3	3	3	3	3	3	3	3
3,20	3	3	3	3	3	3	3	3	3	3	3	3	3
3,40	3	3	3	3	3	3	3	3	3	3	3	3	3

Class 3 ≈ 48 Km/h

