

# SLAVIA

ENG

## Sophisticated systems for a better quality of life

This awning is designed to adapt perfectly to spaces that require reduced and compact solutions while maintaining a sophisticated and refined design.

Its multiple fastening options and ease of installation allows comfortable adaptation to any type of façade.

### MOBILISATION



Motorized



Automated



Manual

### INSTALLATION POSSIBILITIES



Window



Balcony



Terrace



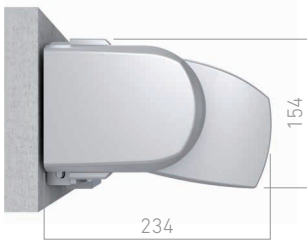
Wrought

- ✓ Inclusion of a highly resistant articulated arm .
- ✓ **Concealment of the fastening elements** for a better aesthetic appearance.
- ✓ **Total protection of the mechanism and the canvas** when the awning is retracted.

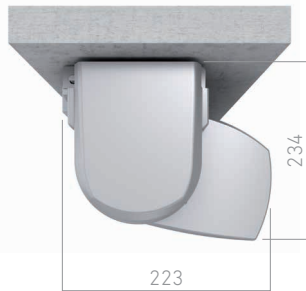


## TYPES OF FIXING

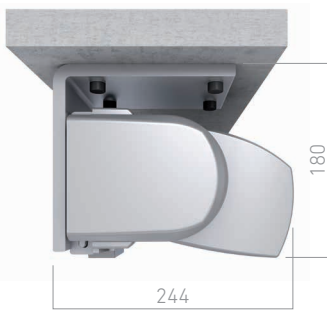
Measurements in mm.



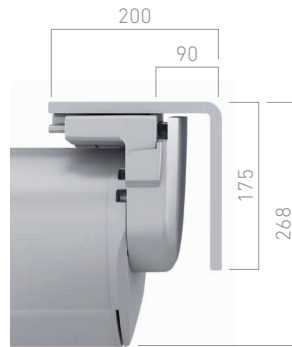
Wall



Ceiling

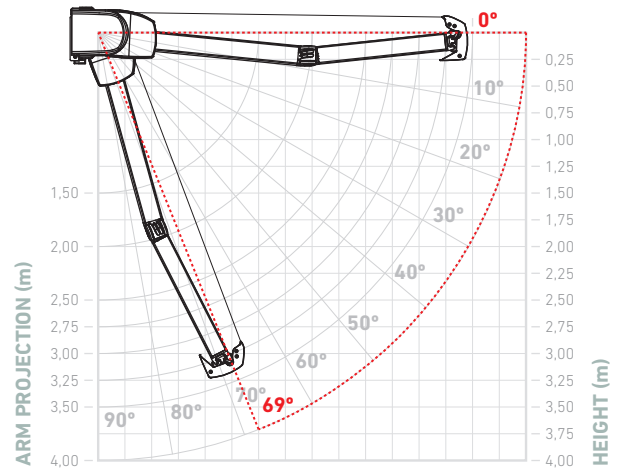


Ceiling with square



Wall to wall

## DEGREES OF INCLINATION

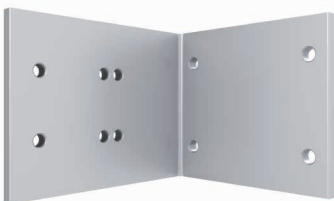


### DEGREES OF INCLINATION

Front installation	0° to 69°
Ceiling installation	0° to 69°
Ceiling installation with square	0° to 69°
Wall to wall installation	0° to 69°

## FIXING PLATE

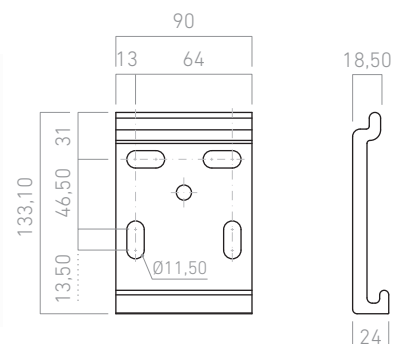
Measurements in mm.



Wall to wall



Ceiling



24

# SLAVIA

024540



CODE	COMPONENTS
1	024434 Gear Saxun awning 1:11 L120 Long screw
2	022868 Set of arms
3	022867 Set of box profile
4	022866 Set of box brackets
5	022258 Cap with round pivot ø70 Ran Zamak 12x40

CODE	COMPONENTS
6	022806 Axle ø70
7	022465 Wall bracket ext. box
8	022819 Lacquered crank handle with a zined hook
9	022890 Zamak round cap gear E/C ø70 Ran 13x63

## WIND RESISTANCE EN 13561:2004+A1:2008

PROJECTION	WIDTH													
	2,00	2,25	2,50	2,75	3,00	3,25	3,50	3,75	4,00	4,25	4,50	4,75	5,00	
1,00	3	3	3	3	3	3	3	3	3	3	3	3	3	
1,50	3	3	3	3	3	3	3	3	3	3	3	3	3	
2,00			2	2	2	2	2	2	2	2	2	2	2	
2,50					2	2	2	2	2					

Class 2	≈ 38 Km/h	Class 3	≈ 48 Km/h
---------	-----------	---------	-----------

