

THEMIS

ENG

The art of fitting into any façade

Stor awning with folding 0.5 metre arms and the option of a box for fastening to a ceiling or wall, as well as interchangeable accessories.

It stands out for its aesthetic simplicity, quick installation and comfortable use, being ideal for any type of balcony with a handrail.

MOBILISATION



Motorized



Automated



Manual

INSTALLATION POSSIBILITIES



Window



Balcony

- ✓ Option of **installation on balconies and windows.**
- ✓ **Choice of front or ceiling mounting.**
- ✓ Compatible with our motorisation and automation systems.



TYPES OF FIXING



Frontal



Ceiling

SUPPORTS

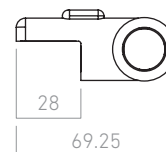
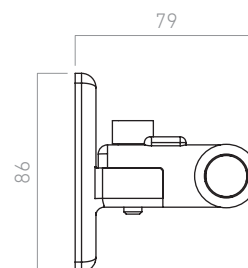
Measurements in mm.



Wall

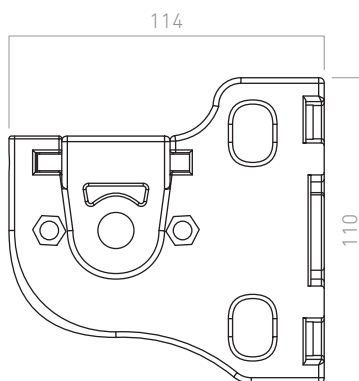


Balcony support

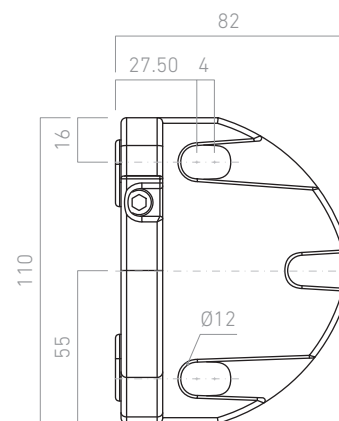


SUPPORTS

Measurements in mm.



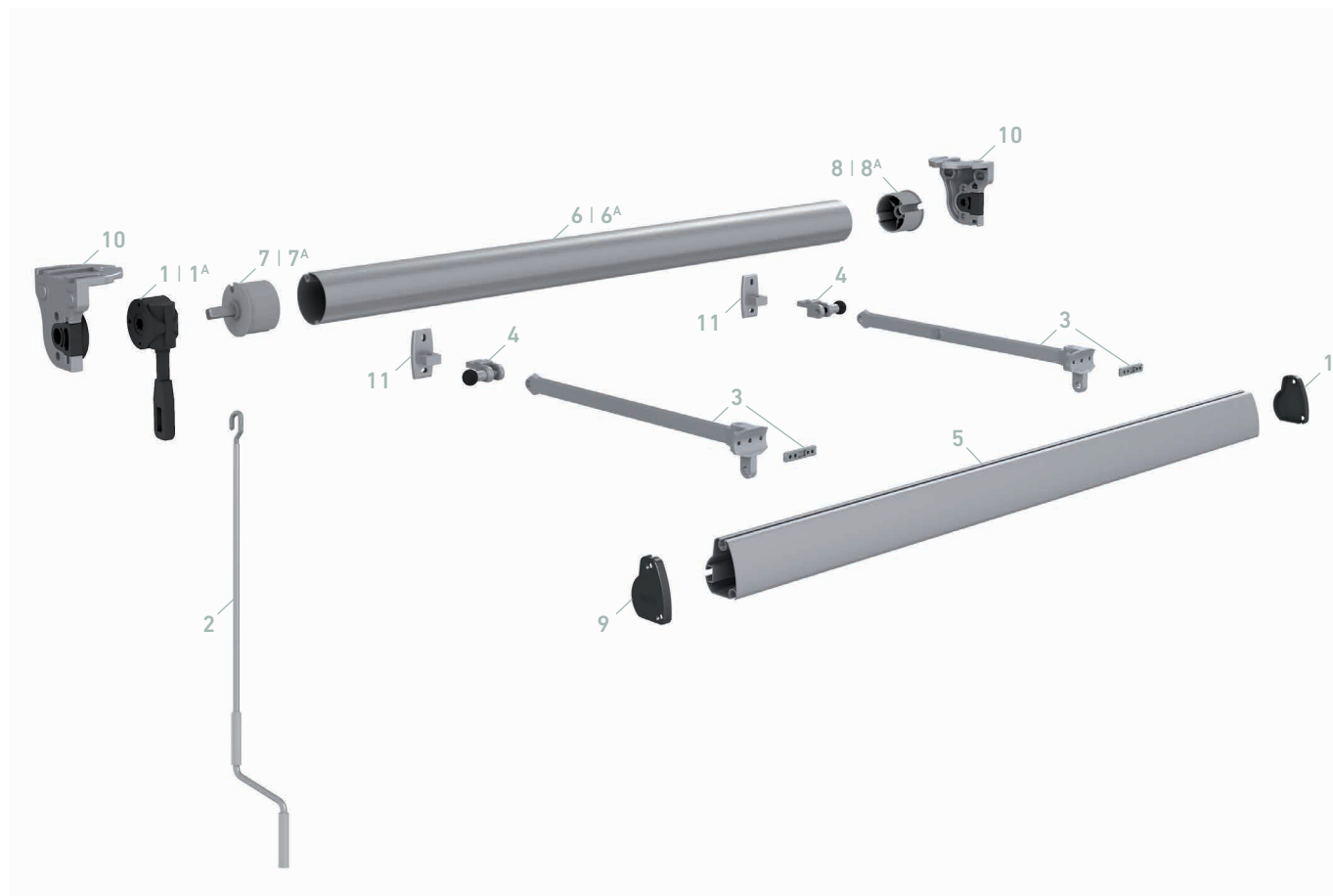
Side view



Top view

THEMIS

022130



CODE	COMPONENTS
1	024431 Gear Saxun awning 1:7 L80 Long screw
1 ^A	024434 Gear Saxun awning 1:11 L120 Long screw
2	022819 Lacquered crank handle with a zincod hook
3	022093 Arms 50 cm Stor (includes balcony support)
4	022670 Set of balcony brackets S1
5	022494 Profile Tolper 62
6	022805 Axle ø60 (up to 3,75)
6 ^A	022806 Axle ø70 (from 3,75)

CODE	COMPONENTS
7	022269 Nylon round cap gear 13x35 ø60 square axle (up to 3,75)
7 ^A	022271 Nylon round cap gear 13x35 ø70 square axle (from 3,75)
8	022267 Nylon round cap gear 12x20 ø60 round axle (up to 3,75)
8 ^A	022268 Nylon round cap gear 12x20 ø70 round axle (from 3,75)
9	022962 Set of Tolper 62 profile end sides
10	022833 Set of injection brackets without round pivot
11	022524 Wall arms bracket (optional)

WIND RESISTANCE EN 13561:2004+A1:2008

PROJECTION	WIDTH																			
	1,50	1,75	2,00	2,25	2,50	2,75	3,00	3,25	3,50	3,75	4,00	4,25	4,50	4,75	5,00	5,25	5,50	5,75	6,00	
1,50	3	3	3	3	3	3	3	3	3	3	3	3	3	3	3	3	3	3	3	3
2,00	0	0	0	0	0	0	0	0	0	0	0	0	0	0	0	0	0	0	0	0
2,50	0	0	0	0	0	0	0	0	0	0	0	0	0	0	0	0	0	0	0	0

Class 0	< 29 Km/h	Class 3	≈ 48 Km/h
---------	-----------	---------	-----------

Arm size: 0,5 m.

