

ZERES I

ENG

The strength of the monoblock, with more options

The Zeres I awning is a monoblock model created to solve the challenge of large installations in both the residential and business sectors.

A quick, effective, easy-to-install solution that offers great resilience and performance for façades of all architectural styles.

MOBILISATION



Motorized



Automated



Manual

INSTALLATION POSSIBILITIES



Window



Balcony



Terrace



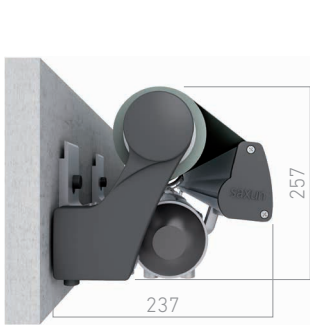
Wrought

- ✓ **Greater durability and resistance** thanks to the division of its arms.
- ✓ **Incorporation of several fixing supports** to anchor the self-supporting assembly.
- ✓ **Separation of the roll tube supports** from the fabric, and support for the articulated arm.



TYPES OF FIXING

Measurements in mm.

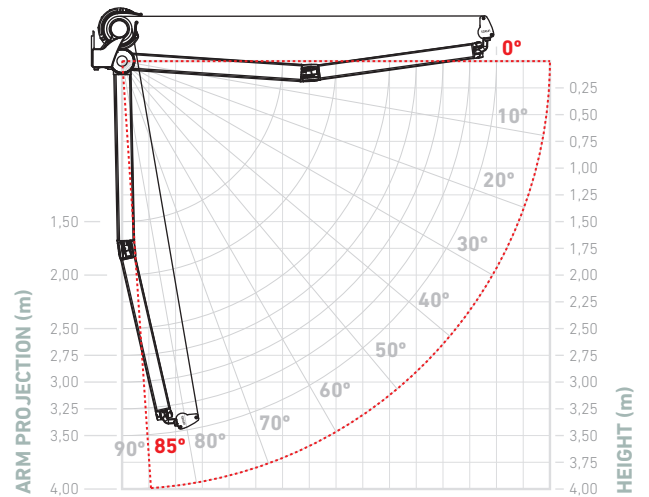


Frontal



Ceiling

DEGREES OF INCLINATION



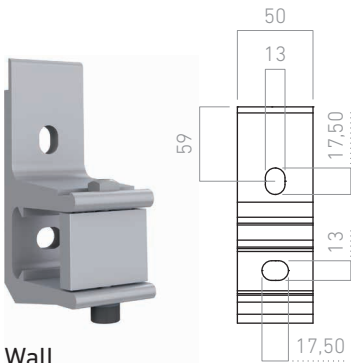
DEGREES OF INCLINATION

Front and ceiling installation

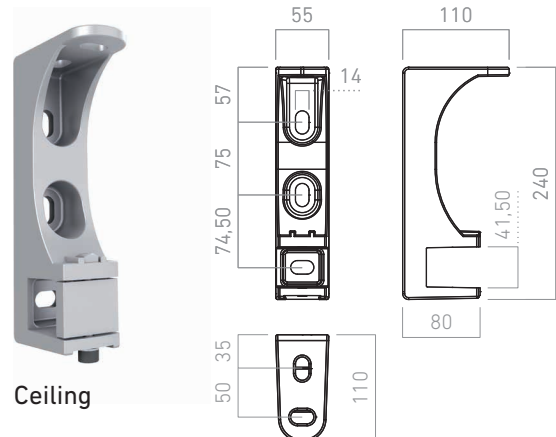
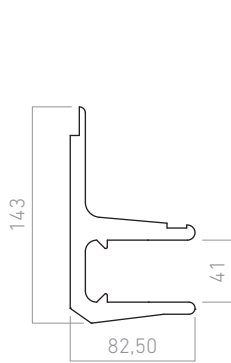
0° to 85°

SUPPORTS

Measurements in mm.



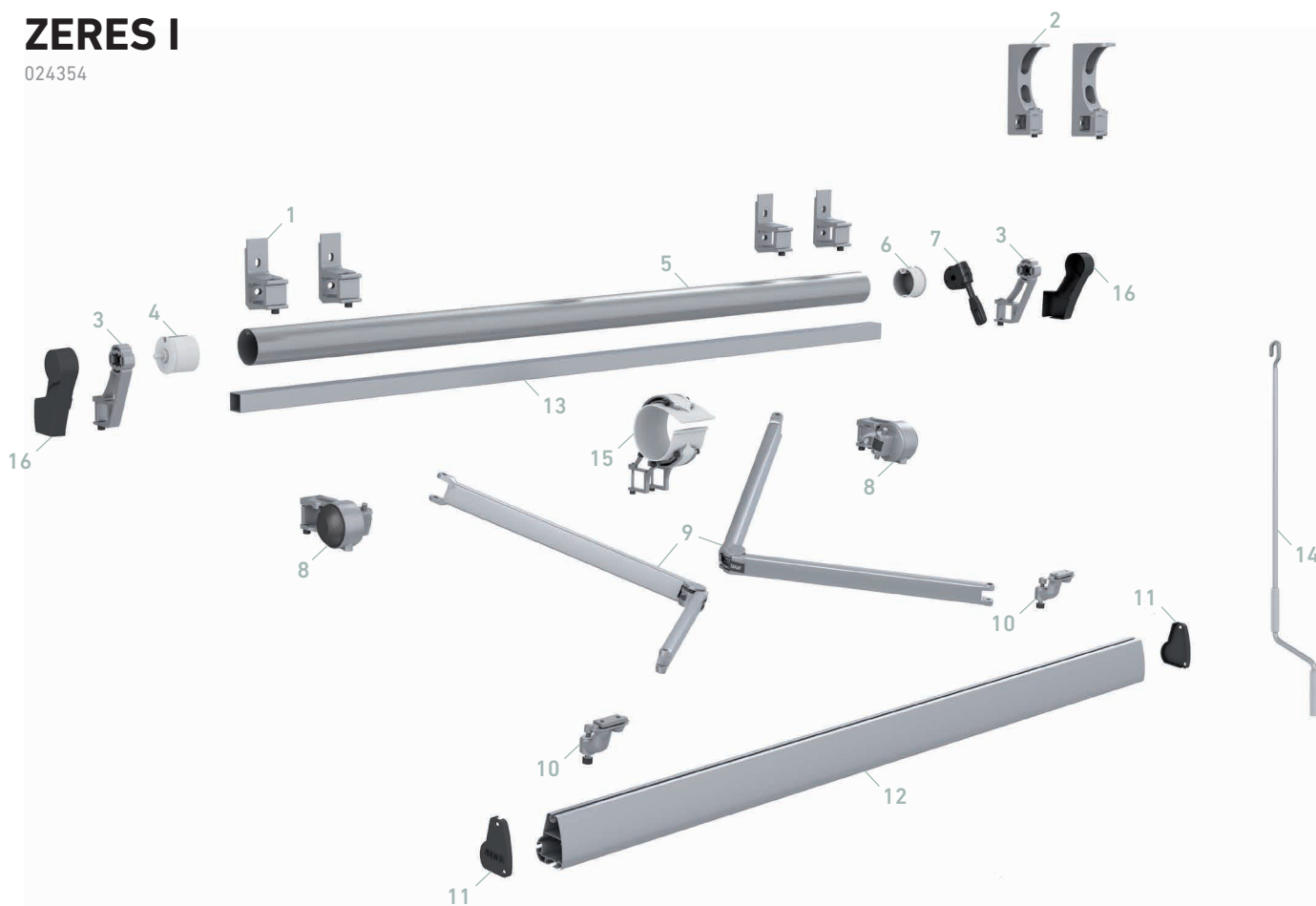
Wall



Ceiling

ZERES I

024354



CODE	COMPONENTS
1	024542 Extruded wall bracket with screws and caps
2	024543 Injection wall/ceiling bracket with screws and caps
3	024538 Set of square axle/bar brackets with pivot side, screws and caps
4	022268 Nylon round cap gear 12x20 ø70 round axle (from 3,75)
5	022806 Axle ø70
6	022271 Nylon round cap gear 13x35 ø70 square axle (from 3,75)
7	024434 Gear Saxun awning 1:11 L120 Long screw
8	022665 Set of brackets for arm/bar

CODE	COMPONENTS
9	022640 Set retractable arms
10	022875 Set of lower adjustments
11	022963 Set of caps for Tolper 80 profile
12	022495 Profile Tolper 80
13	022546 40x40x2 square galvanized iron bar, lacquered
14	022819 Lacquered crank handle with a zinced hook
15	024541 Central brackets with screws and caps
16	024539 Set of caps for axle/bar brackets M1 Plus

WIND RESISTANCE EN 13561:2004+A1:2008

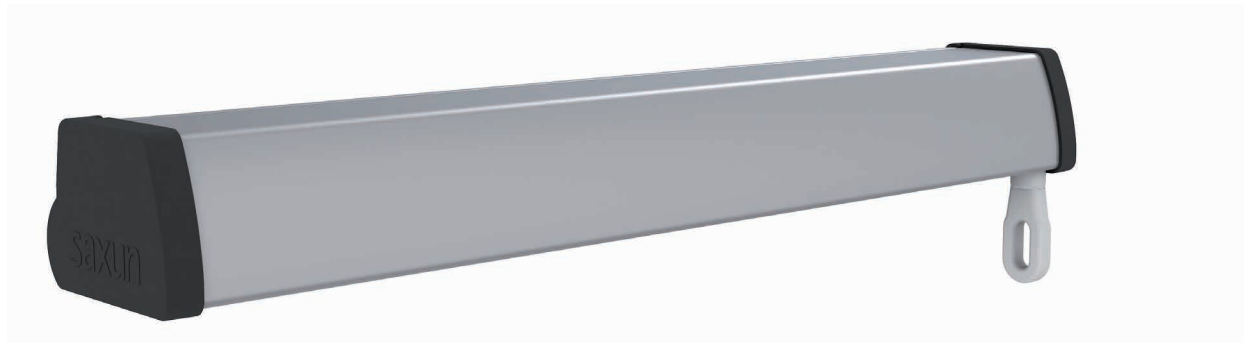
PROJECTION	WIDHT															
	2,50	2,75	3,00	3,25	3,50	3,75	4,00	4,25	4,50	4,75	5,00	5,25	5,50	5,75	6,00	
1,50	3	3	3	3	3	3	3	3	3	3	3	3	3	3	3	
2,00		3	3	3	3	3	3	3	3	3	3	3	3	3	3	
2,50				3	3	3	3	3	3	3	3	3	3	3	3	
2,75					2	2	2	2	2	2	2	2	2	2	2	
3,00						2	2	2	2	2	2	2	2	2	2	
3,25							2	2	2	2	2	2	1	1	1	
3,50								2	2	2	2	2	1	1	1	

Class 1	≈ 29 Km/h	Class 2	≈ 38 Km/h	Class 3	≈ 48 Km/h
---------	-----------	---------	-----------	---------	-----------

With two arms

LOAD PROFILE BOX

024225



Load profile box mounted



Load profile box detailed sketch

CODE	COMPONENTS	CODE	COMPONENTS
1	030501 Axle $\varnothing 45$	7	024200 Set of load profile Box covers
2	024168 Load profile Box	8	030561 Axle cup square bolt crank axle $\varnothing 45$
3	024165 Load profile Box end cap	9	030403 Axle cup axle $\varnothing 45$
4	051033 Plastic cap with flange 6,3 mm	10	024083 Extensible support for front profile
5	030176 Crank - axle 50/60 17 kg (Saxun)	11	022819 Lacquered crank handle with a zinc hook
6	024211 Rod with eyebolt C6x50		

