

ZERES II

ENG

Monoblock protection for larger spaces

The Zeres II awning is a panned monoblock model designed to meet the challenges posed by installations of special dimensions.

With this option, a swift, efficient and easy-to-install solution is achieved that brings great resistance and optimal performance to any type of façade.

MOBILISATION



Motorized



Automated



Manual

INSTALLATION POSSIBILITIES



Window



Balcony



Terrace



Wrought

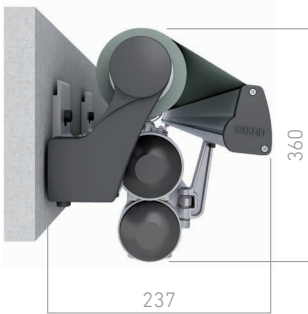


- ✓ **Greater durability and resistance** thanks to the division of its arms.
- ✓ **Incorporation of several fixing supports** to anchor the self-supporting assembly.
- ✓ **Separation of the roll tube supports** from the fabric, and support for the articulated arm.
- ✓ **Crossed arm system** that allows an optimal outlet in spaces where it is not possible to have a wide line.



TYPES OF FIXING

Measurements in mm.

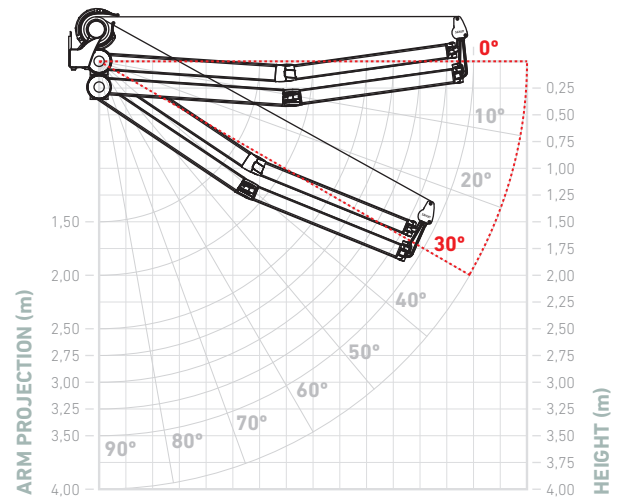


Frontal



Ceiling

DEGREES OF INCLINATION

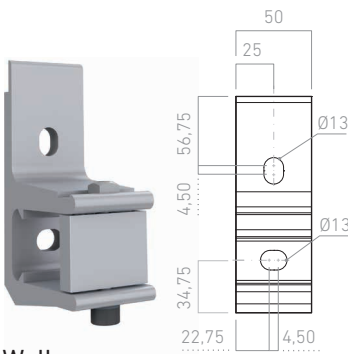


DEGREES OF INCLINATION

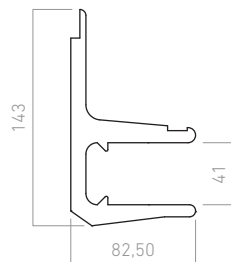
Front and ceiling installation	0° to 30°
--------------------------------	-----------

SUPPORTS

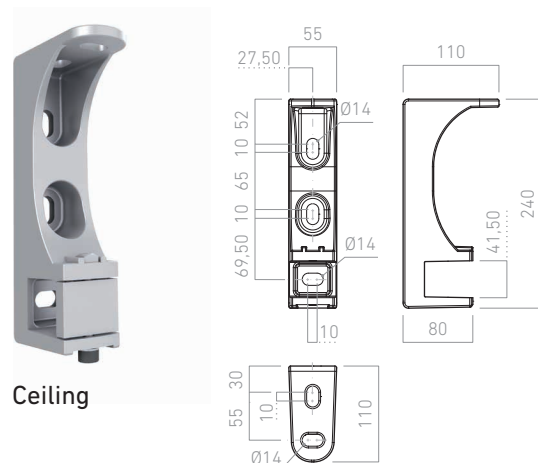
Measurements in mm.



Wall

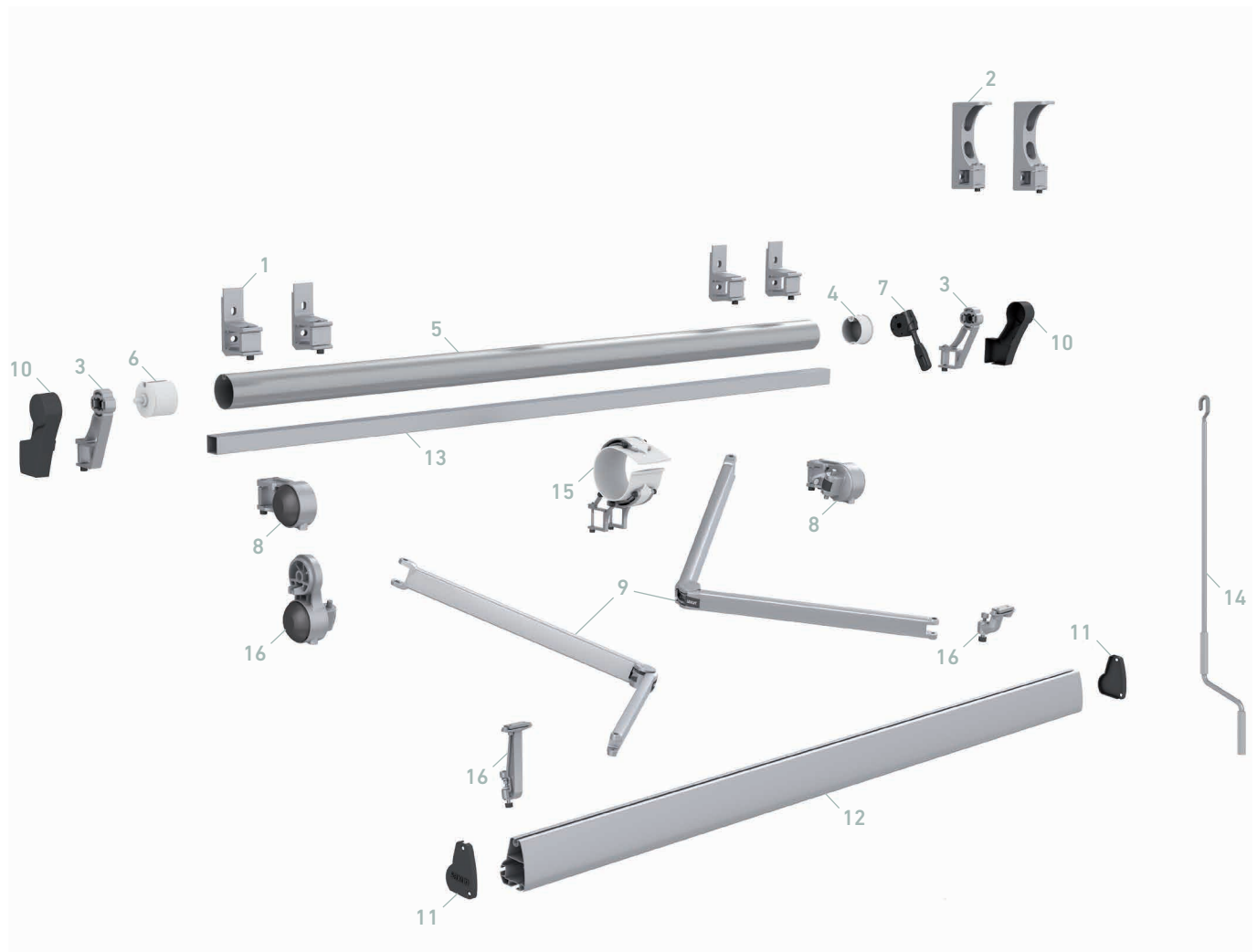


Ceiling



ZERES II (CROSSED ARMS)

024355



CODE	COMPONENTS
1	024542 Extruded wall bracket with screws and caps
2	024543 Injection wall/ceiling bracket with screws and caps
3	024538 Set of square bar/tube brackets with pivot side, screws and caps
4	022268 Nylon round cap gear 12x20 ø70 round axle (from 3,75)
5	022806 Axle ø70
6	022271 Nylon round cap gear 13x35 ø70 square axle (from 3,75)
7	024434 Gear Saxun awning 1:11 L120 Long screw
8	022665 Set of brackets for arm/bar

CODE	COMPONENTS
9	022640 Set retractable arms
10	022875 Set of lower adjustments
11	022963 Set of caps for Tolper 80 profile
12	022495 Profile Tolper 80
13	022546 40x40x2 square galvanized iron bar, lacquered
14	022819 Lacquered crank handle with a zinced hook
15	024541 Central brackets with screws and caps
16	022703 Kit of crossed arms with lower adjustments

WIND RESISTANCE EN 13561:2004+A1:2008

PROJECTION	WIDTH						
	2,00	2,25	2,50	2,75	3,00	3,25	3,50
2,00	2	2	2	2			
2,50	2	2	2	2	2	2	
2,75	2	2	2	2	2	2	2
3,00	2	2	2	2	2	2	2

Class 2 ≈ 38 Km/h

With two arms

LOAD PROFILE BOX

024225



Load profile box mounted



Load profile box detailed sketch

CODE	COMPONENTS	CODE	COMPONENTS
1	030501 Axle $\varnothing 45$	7	024200 Set of load profile Box covers
2	024168 Load profile Box	8	030561 Axle cup square bolt crank axle $\varnothing 45$
3	024165 Load profile Box end cap	9	030403 Axle cup axle $\varnothing 45$
4	051033 Plastic cap with flange 6,3 mm	10	024083 Extensible support for front profile
5	030176 Crank - axle 50/60 17 kg (Saxun)	11	022819 Lacquered crank handle with a zinc hook
6	024211 Rod with eyebolt C6x50		

